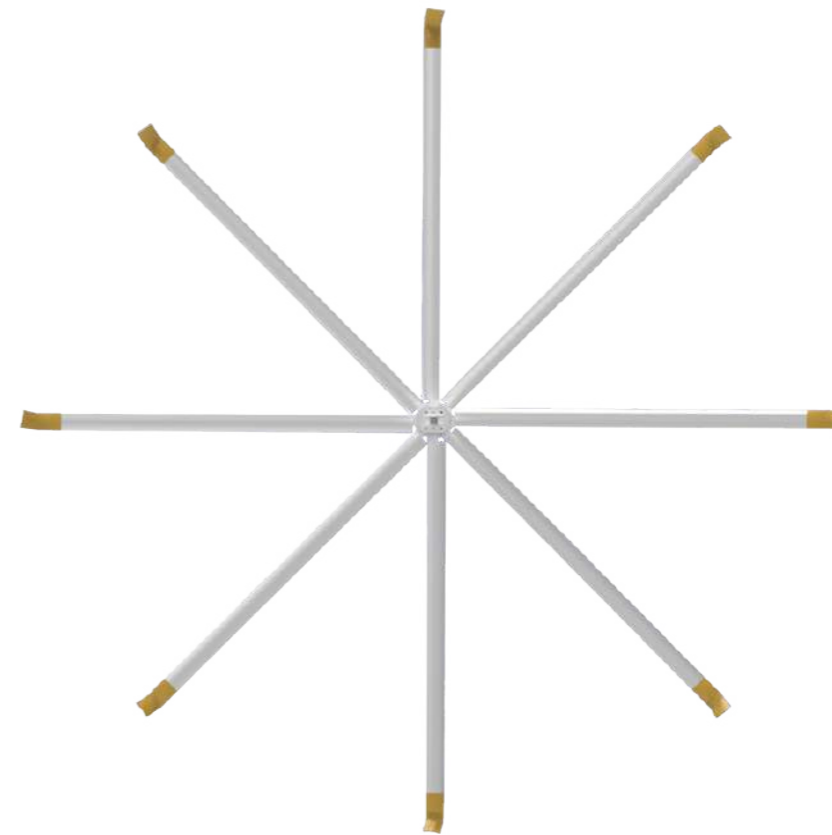


CHOSEN

VENT TECH LTD.



CHOSEN VENT TECH LTD.

Address: No.201-1 of 22, International Woodworking Machinery Area, Licun Lunjiao, Shunde District, Foshan City, Guangdong, China
Production Base: 102 No.5 west of Xianchongzhongxin Road, Qiaonan Street, Panyu District, Guangzhou, China
Tel: +86-757-27888568
Fax: +86-757-27888568
E-mail: info@ch-ventilation.com
Website: www.ch-ventilation.com

PRODUCTS

Axial Fan
Centrifugal Fan
Fan Accessories
Mist Spray Fan
HVLS Fan
Evaporative Air Cooler
Hydroponic(Inline) Duct Fan
Exhaust Fan



CHOSEN

VENT TECH LTD. Company Profile

CHOSEN VENT TECH LTD. is a manufacturer who focus on the design and producing for the industrial & commercial ventilators. Our ventilators be use in ventilation system (supply or exhaust) of Building, Air-conditioning, Industrial (HVAC), Firefighting, the commercial & industrial (HVAC) system.

We have products ranges include completed fans & fan accessories. The fans include forward-curve & backward-curve centrifugal fans (Blowers), axial fans, misting fans. The accessories include forward-curve & backward-curve impellers, axial impellers, fan blades and so on. We are not only manufacture products for standard item with bulk quantity, but also we provide project solution and fan type selection. Custom, semi-custom, OEM, ODM also our advantages.

Our engineers who with more than 20years experience in fans design, with the help of the advanced processing equipments (Laser cuttings, CNC lathers & bendings, Rolling, Dynamic balance) and experienced workers, they ensure the fans with high quality. And the fans be test by airway system so their technical parameters are truth & reliable.

Currently, our products have been exported to more than 30countries, and win trust & affirmation of the clients.

We CHOSEN VENT TECH LTD will be your honest and reliable partner.

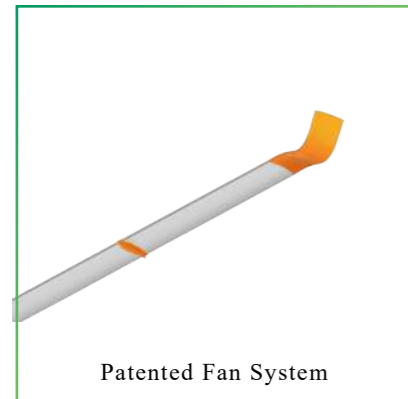
HVLS FAN INDUSTRIAL CEILING FAN

Applications:

Ventilation of agriculture, aviation, commercial, public spaces, education, fitness, government, industrial, motor vehicles, ect.

Advantages:

- Reduce condensation.
- Circulate airflow from one area to another.
- Clean up the area during the summer and expand coverage by 30%.
- Reduce air pollutants.
- Save heating and cooling costs and HVAC equipment maintenance costs.
- Protect your equipment and inventory from moisture.



Patented Fan System



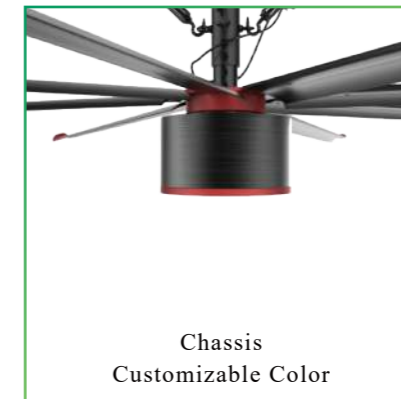
ABM Germany Imported Motor



Industrial Fan Custom Inverter
(Emerson)



Fan Blade
Customizable Color



Chassis
Customizable Color

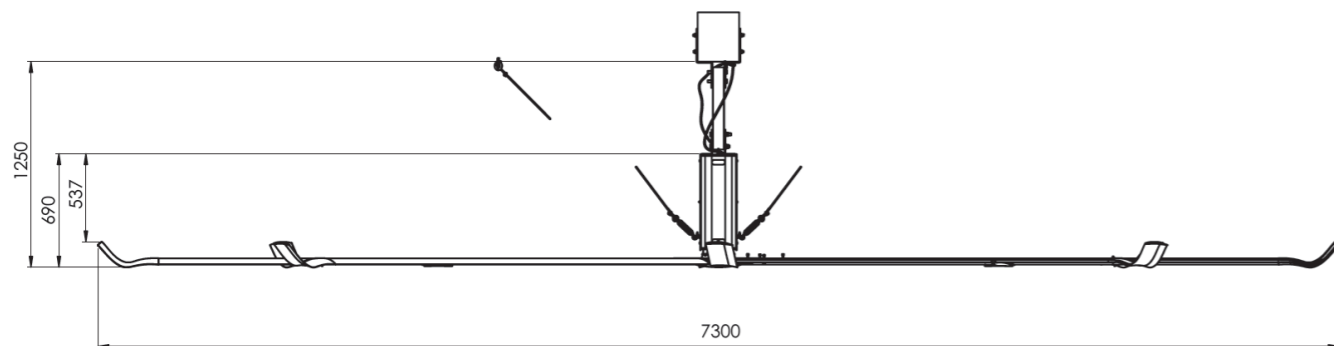


Speed Governor

HVLS Fan / Industrial Ceiling Fan (AC Motor)

Technical Specification

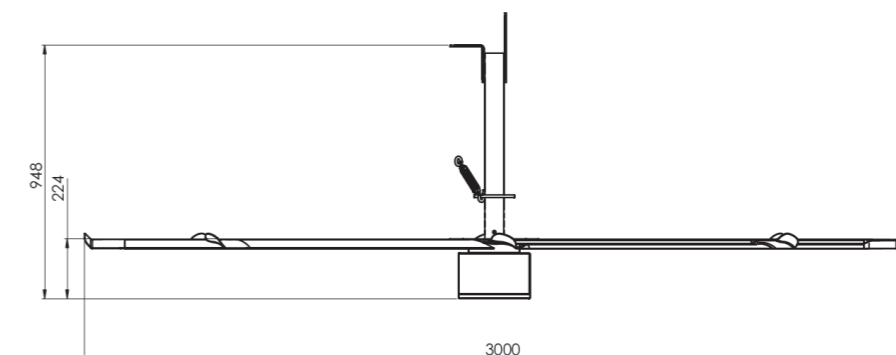
Item	Diameter	Material	Power	Rotating Speed	Wind Speed	Air Volume	Weight	Noise	Best Off The Ground	Coverage Area
	m		w	rpm	m/s	m ³ /s				
HVC-8-4.9AC	4.9	Aerometal	1500	97	3.2	> 59	120	< 55	4.5 - 6	400
HVC-8-5.5AC	5.5	Aerometal	1500	86	3.5	> 70	127	< 55	5 - 7	500
HVC-8-6.1AC	6.1	Aerometal	1500	76	3.7	> 85	132	< 55	6 - 8	600
HVC-8-7.3AC	7.3	Aerometal	1500	63	3.9	> 108	157	< 55	6 - 9	700



HVLS Fan / Industrial Ceiling Fan (DC Motor)


Technical Specification

Item	Diameter	Material	Power	Rotating Speed	Wind Speed	Air Volume	Weight	Noise	Best Off The Ground	Coverage Area
	m		w	rpm	m/s	m ³ /s				
HVC-8-2.4DC	2.4	Aerometal	435	158	2.3	> 19	34	< 35	3.6 - 4.5	186
HVC-8-2.7DC	2.7	Aerometal	440	135	2.4	> 20	36	< 35	3.6 - 4.5	195
HVC-8-3.0DC	3.0	Aerometal	475	107	2.5	> 21	37	< 35	3.6 - 5	205
HVC-8-3.3DC	3.3	Aerometal	475	98	2.5	> 23.5	38	< 35	3.6 - 5.5	225
HVC-8-3.7DC	3.7	Aerometal	495	76	2.6	> 23.5	40	< 35	3.8 - 5.5	265
HVC-8-4.3DC	4.3	Aerometal	535	56	2.7	> 25.5	44	< 35	4 - 6	350



Date / /

Date / /

 +86-757-27888568

If you need more detailed product parameters, please contact us.

 info@ch-ventilation.com



Date / /

Date / /

+86-757-27888568

If you need more detailed product parameters, please contact us.

info@ch-ventilation.com

