

CHOSEN

VENT TECH LTD.



CHOSEN VENT TECH LTD.

Address: No.201-1 of 22, International Woodworking Machinery Area, Licun Lunjiao, Shunde District, Foshan City, Guangdong, China
Production Base: 102 No.5 west of Xianchongzhongxin Road, Qiaonan Street, Panyu District, Guangzhou, China
Tel: +86-757-27888568
Fax: +86-757-27888568
E-mail: info@ch-ventilation.com
Website: www.ch-ventilation.com

PRODUCTS

Axial Fan
Centrifugal Fan
Fan Accessories
Mist Spray Fan
HVLS Fan
Evaporative Air Cooler
Hydroponic(Inline) Duct Fan
Exhaust Fan





CHOSEN

VENT TECH LTD. Company Profile

CHOSEN VENT TECH LTD. is a manufacturer who focus on the design and producing for the industrial & commercial ventilators. Our ventilators be use in ventilation system (supply or exhaust) of Building, Air-conditioning, Industrial (HVAC), Firefighting, the commercial & industrial (HVAC) system.

We have products ranges include completed fans & fan accessories. The fans include forward-curve & backward-curve centrifugal fans (Blowers), axial fans, misting fans. The accessories include forward-curve & backward-curve impellers, axial impellers, fan blades and so on. We are not only manufacture products for standard item with bulk quantity, but also we provide project solution and fan type selection. Custom, semi-custom, OEM, ODM also our advantages.

Our engineers who with more than 20years experience in fans design, with the help of the advanced processing equipments (Laser cuttings, CNC lathers & bendings, Rolling, Dynamic balance) and experienced workers, they ensure the fans with high quality. And the fans be test by airway system so their technical parameters are truth & reliable.

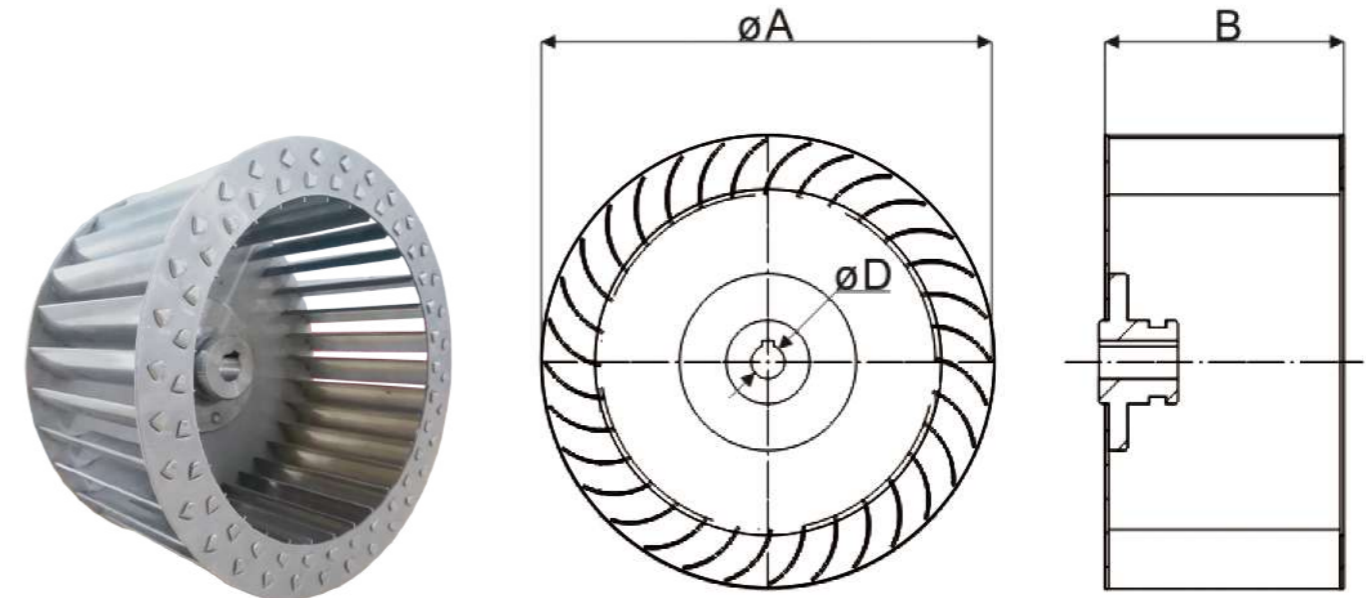
Currently, our products have been exported to more than 30countries, and win trust & affirmation of the clients.

We CHOSEN VENT TECH LTD will be your honest and reliable partner.

FORWARD CENTRIFUGAL IMPELLER



Standard Type - Forward Centrifugal Impeller (SWSI)



Forward-Curved Centrifugal Impeller			
Technical Specification			
Type		SWSI , DWDI	
Impeller Dia Range Ø	mm	SWSI: 75 ~ 1400	
		DWDI: 255 ~ 1000	
Air flow	CMH	70 ~ 312000	
Air pressure	Pa	73 ~ 1621	
Material Option	Fan impeller	Aluminum Alloy	
		Galvanized	
		#304 S.S., #316 S.S., #316L S.S.	
Shaft Bushing		Fixed type	
Customizable			

Applications:

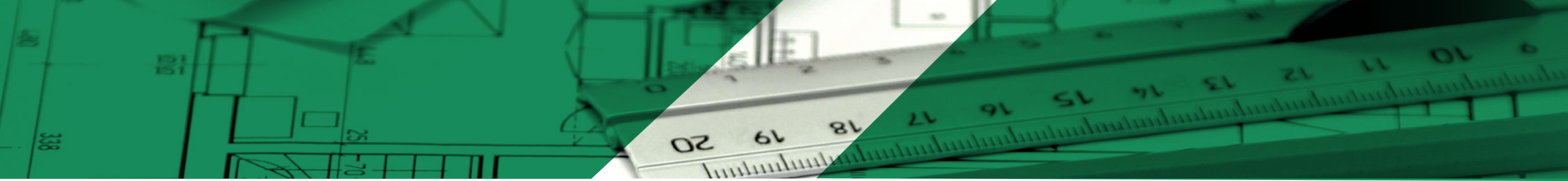
Integrated fans, roof ventilators, ventilation and air-conditioning systems (HVAC/AHU), industrial applications.

Advantages:

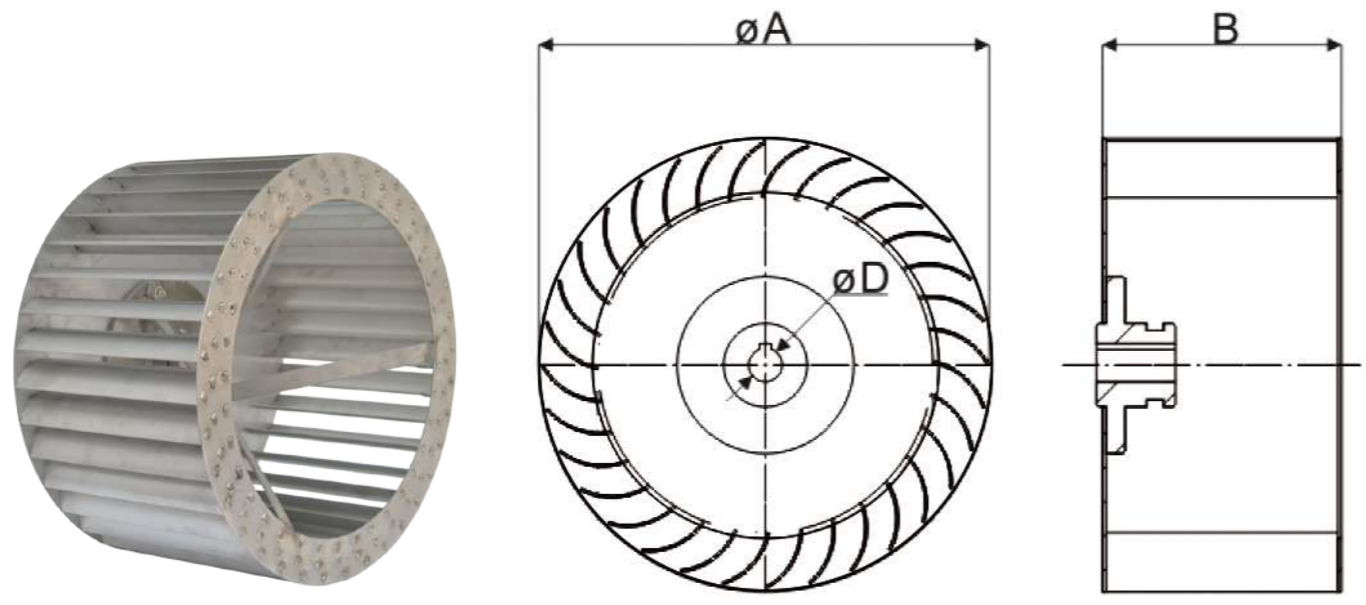
- ⊙ Various material for option : Galvanized steel, Stainless Steel #304/#316/#316L, Aluminum Alloy.
- ⊙ Each impeller will do by dynamic balancing test. It greatly improves the stability of the impeller operation and reduces the vibration & noise.
- ⊙ Each impeller also so Radial Running, Axial Vibration.
- ⊙ The impeller be test by completed build-up centrifugal fan, the air Performance Parameter is truth and reliable.
- ⊙ High static efficiency.

Model	φA	B	φD
	mm	mm	Φ
FSWA-160	160	70	14
FSWA-190	190	100	19
FSWA-200-1	200	90	19
FSWA-200-2	202	88	20
FSWA-225	228	98	20
FSWA-230	230	100	19 / 24
FSWA-250-1	250	100	19 / 24
FSWA-250-2	254	109	25
FSWA-270	270	117	19 / 24
FSWA-280	284	123	30
FSWA-300-1	300	150	24
FSWA-300-2	300	195	24
FSWA-315	318	137	30
FSWA-350-1	350	150	28
FSWA-350-2	350	195	28
FSWA-355	358	154	35
FSWA-400-1	400	150	28

Model	φA	B	φD
	mm	mm	Φ
FSWA-400-2	400	287	38
FSWA-400-3	404	174	35
FSWA-450-1	450	195	38
FSWA-450-2	454	195	40
FSWA-500-1	500	287	38
FSWA-500-2	504	217	40
FSWA-550	550	287	38 / 42
FSWA-560	564	243	45
FSWA-600	600	287	42
FSWA-630	634	273	45
FSWA-710	714	309	50
FSWA-800	804	347	55
FSWA-900	906	389	60
FSWA-1000	1006	432	65
FSWA-1120	1126	483	75
FSWA-1250	1256	541	80
FSWA-1400	1406	605	80

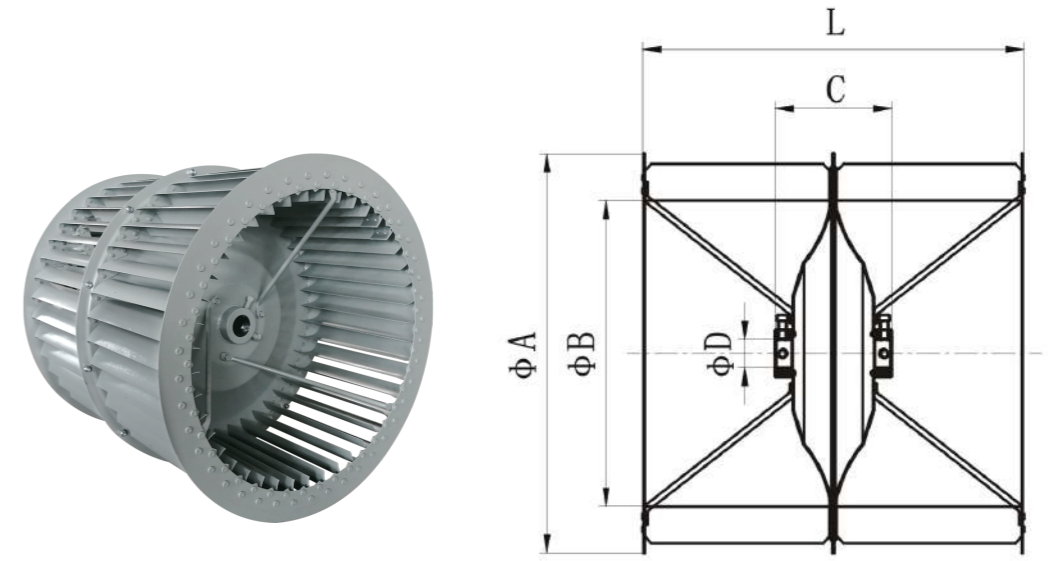


High Pressure Type - Forward Centrifugal Impeller (SWSI)



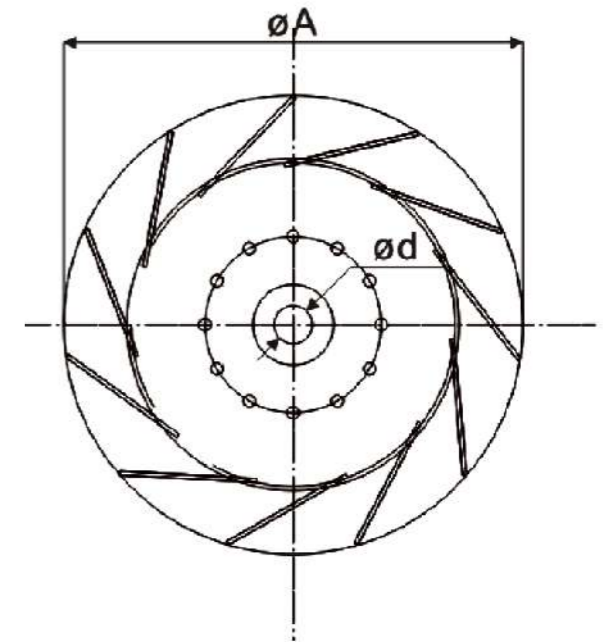
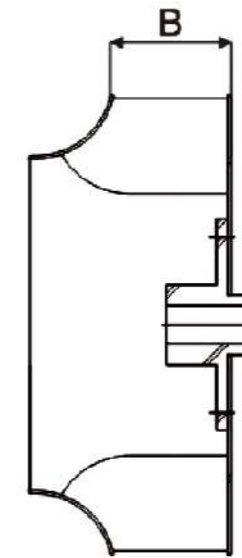
Model	ϕA mm	B mm	ϕD Φ	Material
FSWA-200-H	200	100	20	Gavanized / Stainless steel / Aluminum alloy
FSWA-225-H	225	110	20	
FSWA-250-H	250	120	25	
FSWA-280-H	280	140	30	
FSWA-315-H	315	158	30	
FSWA-355-H	355	175	35	
FSWA-400-H	400	200	35	
FSWA-450-H	450	225	40	
FSWA-500-H	500	245	40	
FSWA-560-H	560	280	45	
FSWA-630-H	630	305	50	
FSWA-710-H	710	340	50	
FSWA-800-H	800	395	55	
FSWA-900-H	900	450	60	
FSWA-1000-H	1000	500	65	

Standard Type - Forward Centrifugal Impeller (DWDI)



Model	ϕA	L	ϕB	C	ϕD	Material
	mm	mm	Φ	mm	Φ	
FDWA-9"X	255	244	196	80	25.4	Gavanized / Stainless steel / Aluminum alloy
FDWA-10"X	281	272	223	96	25.4	
				96	30.16	
FDWA-12"X	334	323	263	96	25.4	
				96	30.16	
				106	38.1	
FDWA-15"X	393	380	321	124	25.4	
				124	30.16	
				134	38.1	
FDWA-18"X	470	461	370	133	30.16	
				143	38.1	
FDWA-20"X	540	519	410	156	38.1	
				176	50.8	
FDWA-22"X	591	573	463	184	38.1	
				204	50.8	
FDWA-25"X	667	642	527	186	38.1	
				206	50.8	
FDWA-27"X	731	707	590	207	50.8	
FDWA-30"X	796	786	648	217	50.8	
FDWA-33"X	840	846	683	279	50.8	
				278	65	
FDWA-36"X	900	921	713	278	65	
FDWA-40"X	1000	1002	813	320	65	

BACKWARD CENTRIFUGAL IMPELLER



Backward Centrifugal Impeller (SWSI)

Applications:

Integrated fans, roof ventilators, ventilation and air-conditioning systems (HVAC/AHU), industrial applications.

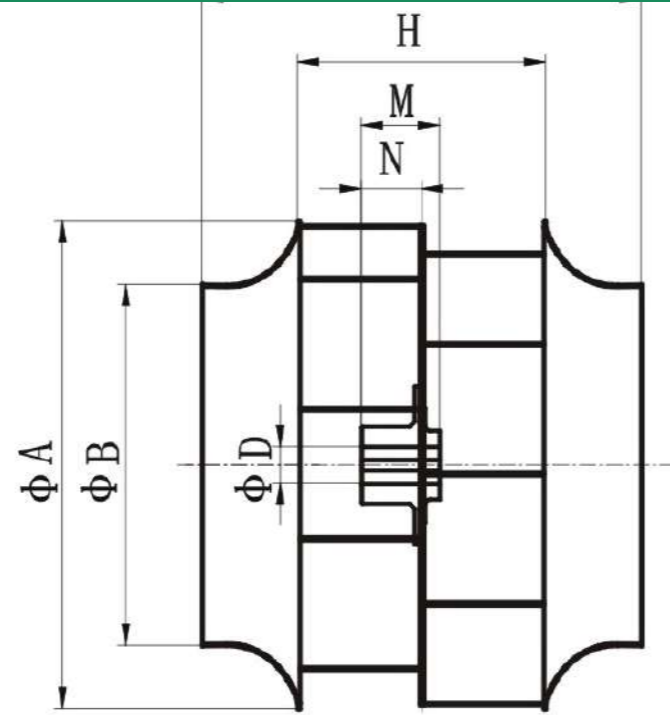
Advantages:

- Various material for option : Mile steel, Stainless Steel #304/#316/#316L, Aluminum Alloy.
- Each impeller is made of moulding, with continuous welding in the settle machine, the components positioning is accurate, the strength is high, make sure of the precision of the processing and the product performance is more reliable.
- Each impeller will do by twice dynamic balancing tests, one is after the completion of welding and the other is after coating. The balance grade of the impeller can be G2.5. It greatly improves the stability of the impeller operation, and reduces the vibration and noise. Meanwhile each impeller also so Radial Running, Axial Vibration.
- Test by completed build-up centrifugal fan, the air Performance Parameter is truth and reliable.
- High static efficiency.

Backward-Curved Centrifugal Impeller		
Technical Specification		
Type	SWSI, DWDI	
Impeller Dia Range Ø	mm	SWSI: 75 ~ 1400
		DWDI: 280 ~ 1000
Air flow	CMH	257 ~ 318500
Air pressure	Pa	73 ~ 4121
Material Option	Fan impeller	Aluminum Alloy
		Mile Steel with Powder Coating
		#304 S.S., #316 S.S., #316L S.S.
Shaft Bushing	Fixed Bushing, Taper Lock	
Customizable		

Model	φA	B	φd	Material
	mm	mm	Φ	
BSWA-280	286	130	30	Aluminum Alloy / Stainless steel / Mile steel with Power Coating
BSWA-315	323	145	30	
BSWA-355	368	162	35	
BSWA-400	408	182	35	
BSWA-450	458	208	40	
BSWA-500	508	229	40	
BSWA-560	568	256	45	
BSWA-630	638	286	50	
BSWA-710	720	322	50	
BSWA-800	810	360	55	
BSWA-900	910	406	60	
BSWA-1000	1010	452	65	
BSWA-1120	1130	502	75	
BSWA-1250	1260	531	80	
BSWA-1400	1410	640	80	

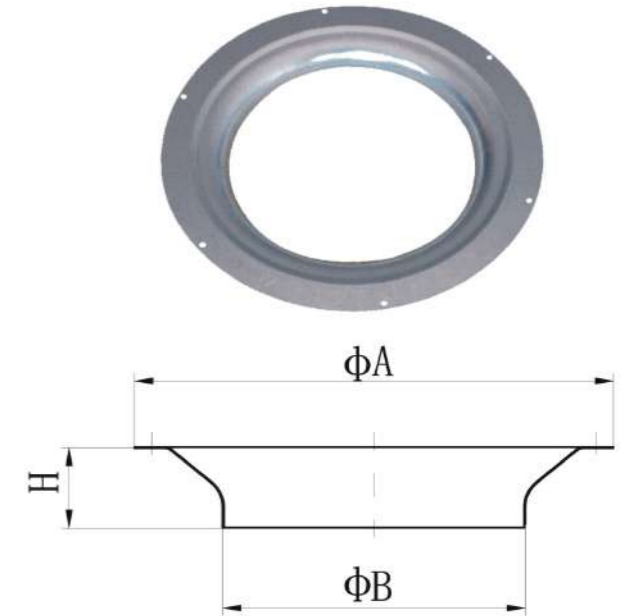
Backward Centrifugal Impeller (DWDI)



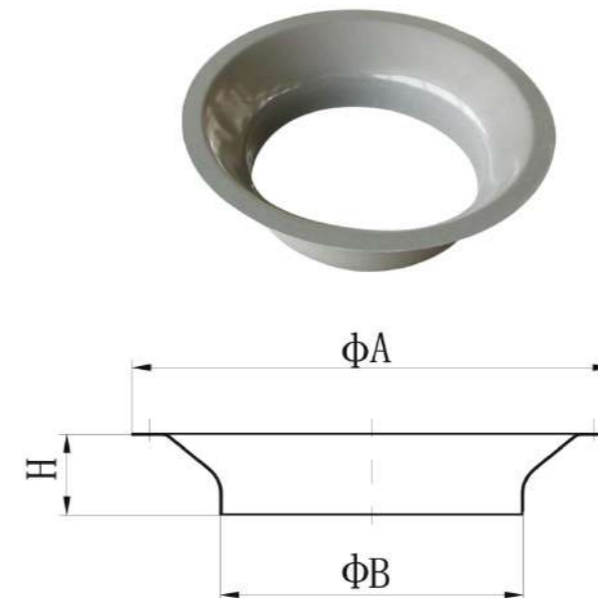
FDWA Type Air Inlet

Model	φA	φB	H
	mm	mm	Φ
FDWA-7"X-1	240	165	18
FDWA-8"X-1	258	182	26
FDWA-9"X-1	304	198	23
FDWA-10"X-1	342	224	26
FDWA-12"X-1	384	262	27
FDWA-15"X-1	469	321	31
FDWA-18"X-1	562	367	37
FDWA-20"X-1	585	411	46
FDWA-22"X-1	622	462	48
FDWA-25"X-1	726	524	62
FDWA-27"X-1	804	587	60
FDWA-30"X-1	866	642	56

Tolerance is ±3mm.



Model	φA	φB	L	H	M	N	φdR/φdK	Key width	Material
	mm	mm	mm	Φ	mm	mm	mm	Φ	
BDWA-280-X	287	213	265	150	60	50	25/30	8/8	Mild steel with power coating / Stainless steel
BDWA-315-X	325	240	298	164	60	50	25/30	8/8	
BDWA-355-X	365	270	334	188	70	60	30/35	8/10	
BDWA-400-X	411	304	374	210	70	67	30/35	8/10	
BDWA-450-X	462	342	416	232	121	67	35/40	10/12	
BDWA-500-X	511	385	474	270	121	61	40/45	12/14	
BDWA-560-X	576	427	510	292	121	61	45/55	14/16	
BDWA-630-X	646	472	576	320	121	61	50/55	14/16	
BDWA-710-X	721	535	641	363	121	61	55/65	16/18	
BDWA-800-X	822	600	738	412	121	61	65	18	
BDWA-900-X	912	677	827	457	145	137	70	20	
BDWA-1000-X	1004	748	895	506	145	137	70	20	

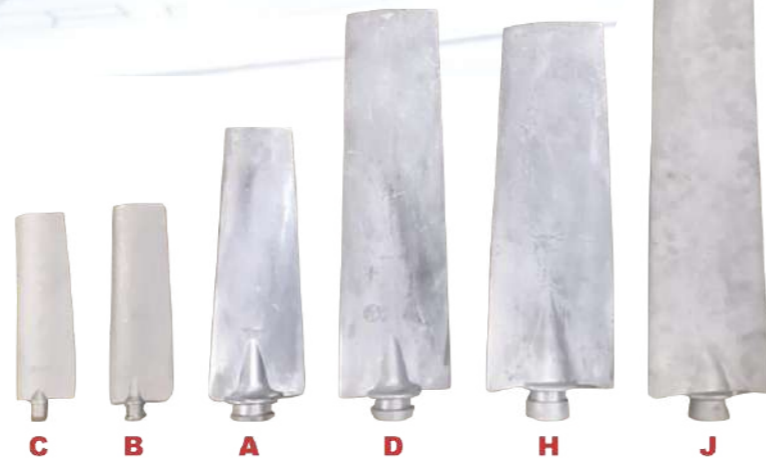


BDWA Type Air Inlet

Model	φA	φB	H
	mm	mm	mm
BDWA-280-X	335	200	56
BDWA-315-X	389	231	62
BDWA-355-X	416	260	70
BDWA-400-X	470	293	78
BDWA-450-X	522	330	88
BDWA-500-X	571	369	103
BDWA-560-X	635	418	114
BDWA-630-X	710	462	130
BDWA-710-X	791	519	138
BDWA-800-X	875	584	161

Tolerance is ±3mm.

ALUMINUM AXIAL IMPELLER



Aluminum blade		
Technical Specification		
Impeller Dia Range Ø	mm	250 ~ 1800
Hub Dia Ø	mm	100 ~ 500
Air Flow	CMH	450 ~ 108000
Air Pressure	PA	21 ~ 961
Shaft Bushing Option		Fixed Bushing , Taper Lock
Blade Shape	C, B, A, D, H, J	
Blade No's	5 ~ 18	
Blade Angle°	10°, 15°, 20°, 25°, 30°, 35°, 40°	
The blades shape, no's, angle be select according to the necessary of air flow & pressure		

Applications:

Integrated fans, roof ventilators, ventilation and air-conditioning systems (HVAC/AHU), industrial applications.

Advantages:

- ⊙ 400ton die casting, high density, heavy duty. The wall with uniform thickness and no die surface porosity.
- ⊙ New material of Aluminum Alloy without inclusions.
- ⊙ Each impeller be inspection by Dynamic Balance.
- ⊙ Adjustable angles for fan blades.
- ⊙ Test by completed build-up axial fan, the air Performance Parameter is truth and reliable.
- ⊙ High static efficiency, Long lasting.

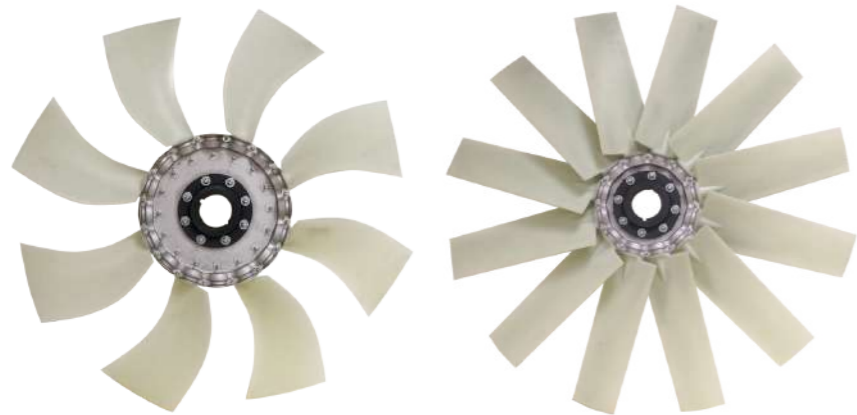
Aluminum Axial Fan Impeller

Blade Type	Item	Standard	Hub	Shaft Head		Blade quantity	Speed	
		mm	φ	φ	Material	pcs	rpm	
C Type Blade	AL-100-7C	250	φ100	φ9-φ14	Aluminum alloy	7	2850	
	AL-120-7C	285	φ120	φ11-φ19	Aluminum alloy	7		
	AL-140-7C	350-400	φ140	φ14-φ24	Aluminum alloy	7		
	C Type Blade	AL-150-4C	400-620	φ150	φ11-φ28	Aluminum alloy	4	1450
		AL-150-6C					6	
		AL-150-8C	8					
		AL-160-5C	400-620	φ160	φ11-φ28	taper lock	5	
AL-160-10C	400-630	φ11-φ28	Aluminum alloy		10			
B Type Blade	AL-200-9B	560-800	φ200	φ19-φ28	Aluminum alloy	9	1450	
		900-1000		φ38-φ42	cast iron			
	AL-200-10B			560-800	φ19-φ28		Aluminum alloy	10
		900-1000		φ38-φ42	cast iron			
	AL-255-14B		500-1000	φ255	φ19-φ28	Aluminum alloy	14	
		φ38-φ42			cast iron			
	AL-280-12B	500-1000	φ280	φ24-φ48	taper lock / φ42 cast iron	12	1450	
	A Type Blade	AL-220-8A	560-800	φ220	φ24-φ48	cast iron	8	1440
AL-220-9A		9					1450	
AL-320-12A		560-995	φ320	φ24-φ48	cast iron	12	1450	
AL-380-8A		800-1000	φ380	φ38-φ55	taper lock	8	1450	
AL-380-16A						16	1450	
AL-440-14A		900-1120	φ440	φ38-φ55	taper lock	14	1450	
AL-500-9A		1000-1170	φ500	φ42-φ65	taper lock	9	1450	
AL-500-18A						18	1450	
D Type Blade	AL-320-6D	560-1120	φ320	φ24-φ48	cast iron	6	1450	
		560-1280					960	
	AL-320-12D	560-1120				12	1450	
		560-1280					960	
	AL-380-8D	800-1250	φ380	φ38-φ55	taper lock	8	960/1450	
	AL-380-16D					16	960/1450	
H Type Blade	AL-440-14D	1000-1120	φ440	φ38-φ55	taper lock	14	1450	
		1000-1400		φ38-φ55	taper lock		960	
	φ55-φ75			cast iron	960			
	AL-500-9D	1000-1450	φ500	φ42-φ65	taper lock	9	960/1450	
	AL-500-18D					18	960/1450	
H Type Blade	AL-380-8H	800-1250	φ380	φ38-φ55	taper lock	8	960/1450	
	AL-380-16H	800-1250				16	960/1450	
	AL-500-9H	1000-1400	φ500	φ42-φ65	taper lock	9	960/1450	
	AL-500-18H	1000-1400				18	960/1450	
J Type Blade	AL-350-7J1	600-1000	φ350	φ38-φ55	taper lock	7	1450	
	AL-350-14J1					14		
	AL-500-18J	1000-1800	φ500	φ42-φ65	taper lock	18	1450/960/720	

PLASTIC AXIAL IMPELLER



Date / /



Applications:
It can be used in fan for ventilation or heat dissipation in places such as metallurgy, chemical industry, light industry, food, medical equipment, machinery and equipment and civil buildings.

Advantages:

- ⊙ Each impeller be inspection by Dynamic Balance.
- ⊙ Adjustable angles for fan blades.
- ⊙ Test by completed build-up axial fan, the air Performance Parameter is truth and reliable.
- ⊙ High performance.

⚠ If you need more detailed product parameters, please contact us.

☎ +86-757-27888568
✉ info@ch-ventilation.com

Plastic Axial Fan Impeller

Blade Type	Item	Standard	Hub	Shaft Head		Blade quantity	Speed
		mm	φ	φ	Material		
G Type Blade	PA-220-8G	500-1000	φ220	φ24-φ42	Cast iron	8	1440
	PA-220-9G					9	
	PA-320-6G	560-1115	φ320	φ24-φ42	Cast iron	6	1450
	PA-320-12G					12	
	PA-380-8G	800-1175	φ380	φ38-φ55	Taper lock	8	1450
	PA-380-16G					16	
	PA-440-7G	1000-1240	φ440	φ38-φ55	Taper lock	7	1450
	PA-440-14G					14	
	PA-500-9G	1000-1295	φ500	φ42-φ65	Taper lock	9	1450
	PA-500-18G					18	

