

CHOSEN

VENT TECH LTD.



PRODUCTS

Axial Fan
Centrifugal Fan
Fan Accessories
Mist Spray Fan
Evaporative Air Cooler
Hydroponic(Inline) Duct Fan
Exhaust Fan
Cooling Pad





CHOSEN

VENT TECH LTD. Company Profile

CHOSEN VENT TECH LTD. is a manufacturer who focus on the design and producing for the industrial & commercial ventilators. Our ventilators be use in ventilation system (supply or exhaust) of Building, Air-conditioning, Industrial (HVAC), Firefighting, the commercial & industrial (HVAC) system.

We have products ranges include completed fans & fan accessories. The fans include forward-curve & backward-curve centrifugal fans (Blowers), axial fans, misting fans. The accessories include forward-curve & backward-curve impellers, axial impellers, fan blades and so on. We are not only manufacture products for standard item with bulk quantity, but also we provide project solution and fan type selection. Custom, semi-custom, OEM, ODM also our advantages.



Our engineers who with more than 20years experience in fans design, with the help of the advanced processing equipments (Laser cuttings, CNC lathers & bendings, Rolling, Dynamic balance) and experienced workers, they ensure the fans with high quality. And the fans be test by airway system so their technical parameters are truth & reliable.

Currently, our products have been exported to more than 30countries, and win trust & affirmation of the clients.

We CHOSEN VENT TECH LTD will be your honest and reliable partner.

AXIAL FAN STANDARD TYPE



Axial Fan / Standard Type		
Technical Specification		
Impeller Dia Range Ø	mm	280 ~ 1800
Air flow	CMH	450 ~ 190000
Air pressure	Pa	21 ~ 961
Electric Option	V/HA/Phase	110V/220V/380V/420V 50HZ/60HZ Single Phase / 3phase
Power Option	KW	0.09 ~ 55
Motor Grade	Protection	IP44
	Insulation	B Class
Material Option	Fan housing Frame	Galvanized Steel
		Mile Steel with Powder Coating
		#304 S.S., #316 S.S., #316L S.S.
	Fan impeller	Aluminum Alloy #304 S.S., #316 S.S., #316L S.S.
Driven Option		Direct (A)
Function Option	Popular	For normal usage situation
	Explosion	
	Firefighting	
Customizable		

Applications:

Ventilation System of Building, Mining, Air-conditioning system (HVAC), Fire-fighting.

Fan for machinery such as painting room, drying room, air filter.

Advantages:

- ⊙ Compact structure.
- ⊙ Various material for different usage condition & situation: Mile steel, Stainless Steel #304/#316/#316L, Aluminum Alloy.
- ⊙ Transportation gas temperature at -20°C ~ 100°C.
- ⊙ Test by completed build-up centrifugal fan, the air Performance Parameter is truth and reliable.
- ⊙ High static efficiency.

PERFORMANCE DATE STANDRARD TYPE ◀

Item	Speed	Power	Air Flow	Total Pressure	Noise	Blade						
	rpm	Kw	m ³ /h	Pa	dB	Blade Type	Blade Dia	Hub Dia				
CH-AF280	2800	0.18	1830	170	67	CH-8C	280	150				
			2050	160	65							
			2260	150	67							
		0.25	2160	190	70							
			2520	170	71							
			1450	0.09	930				44	57		
	1040	40			69							
	1150	38			60							
	CH-AF315	2800	0.25	2200	200				73	CH-8C	315	150
1500				185	73							
2800				170	74							
0.37			2800	220	75							
			3200	200	76							
			3900	190	78							
0.55			3200	260	76							
			3600	240	78							
			3960	230	78							
1440			0.09	1450	60	58						
				1800	58	60						
				2000	55	61						
CH-AF355		2800	0.55	3500	280	74	CH-10C	355	160			
				4000	270	74						
				4600	250	75						
	0.75		4000	290	76							
			4580	275	76							
			5200	265	79							
	1.1		4580	320	77							
			5150	300	79							
			5660	290	79							
	1400		0.12	2075	75	59						
				2570	70	61						
				2860	69	62						
		0.18	2920	72	60							
			3100	70	61							
			5000	68	62							

PERFORMANCE DATA ▶ STANDARD TYPE

Item	Speed	Power	Air Flow	Total Pressure	Noise	Blade		
	rpm	Kw	m ³ /h	Pa	dB	Blade Type	Blade Dia	Hub Dia
CH-AF400	2800	1.5	5500	390	77	CH-10C	400	160
			6100	370	77			
			6800	330	80			
		2.2	5800	410	78			
			6500	400	80			
			7300	390	80			
	1400	0.25	3100	95	63			
			3700	90	64			
			4300	88	66			
		0.37	3600	100	63			
			4000	96	64			
			4800	90	65			
CH-AF450	2850	2.2	6020	480	76	CH-8C	450	160
			7040	460	76			
			7800	400	77			
		3	7040	490	81			
			7800	460	78			
			8700	410	78			
		4	7400	510	83			
			8300	500	82			
			9300	490	80			
	1400	0.55	4500	120	65			
			4900	115	66			
			5500	110	68			
		0.75	4600	140	66			
			5700	135	67			
			7000	132	69			
CH-AF500	2850	4	7500	680	78	AH-8AA	500	220
			8800	560	78			
			9500	430	79			
		5.5	8500	600	80			
			9600	560	81			
			10300	500	81			
		7.5	9500	620	82			
			10600	610	83			
			12000	600	83			

PERFORMANCE DATA STANDARD TYPE

Item	Speed	Power	Air Flow	Total Pressure	Noise	Blade		
	rpm	Kw	m ³ /h	Pa	dB	Blade Type	Blade Dia	Hub Dia
CH-AF500	1420	0.55	6900	150	68	CH-10C	500	160
			7200	130	69			
			8500	110	71			
		0.75	7200	160	70			
			8500	140	73			
			9300	120	75			
		1.1	8300	180	72			
			9000	160	74			
			9600	150	75			
CH-AF560	2900	4	8700	550	84	AH-9AA	560	220
			10000	490	83			
			12600	350	82			
		5.5	10000	590	83			
			11000	550	83			
			13000	480	83			
		7.5	11000	700	86			
			13000	600	85			
			14800	520	85			
		1.1	12000	800	87			
			14000	680	87			
			16000	600	87			
CH-AF560	1450	0.75	9000	200	71	CH-10C	560	160
			10000	180	69			
			11000	160	71			
		1.1	9300	205	73			
			10500	185	73			
			11500	165	73			
		1.5	11000	210	74			
			12500	190	75			
			13900	170	76			
CH-AF630	1450	1.1	12600	220	74	CH-10C	630	160
			14500	200	75			
			16000	180	76			
		1.5	13000	245	76			
			15000	225	78			
			16000	175	78			

PERFORMANCE DATA STANDARD TYPE

Item	Speed	Power	Air Flow	Total Pressure	Noise	Blade		
	rpm	Kw	m ³ /h	Pa	dB	Blade Type	Blade Dia	Hub Dia
CH-AF630	1450	2.2	13500	265	76	CH-10C	630	160
			15500	245	78			
			17000	195	79			
	960	0.75	10000	140	65			
			11500	120	66			
			12600	100	67			
CH-AF710	1450	1.5	14500	250	76	AH-9AA	710	220
			16500	220	77			
			18000	200	78			
		2.2	16500	300	77			
			18000	260	78			
			20000	230	78			
		3	18000	370	79			
			20000	330	78			
			21000	290	80			
		4	20000	400	80			
			21500	370	81			
			23000	330	81			
	960	0.75	12600	160	68			
			14500	130	70			
			16200	100	70			
		1.1	16500	140	71			
			18000	130	71			
			19000	120	71			
CH-AF800	1450	4	23000	330	79	AH-12AA	800	320
			25000	300	80			
			28000	290	80			
		5.5	25000	400	84			
			27200	360	84			
			30000	330	84			
	7.5	28000	450	85				
		31000	430	86				
		33000	400	86				
	960	1.5	18000	200	73			
			20000	180	73			
			21000	150	73			

PERFORMANCE DATA STANDARD TYPE

Item	Speed	Power	Air Flow	Total Pressure	Noise	Blade			
	rpm	Kw	m ³ /h	Pa	dB	Blade Type	Blade Dia	Hub Dia	
CH-AF800	960	2.2	22000	200	74	AH-12AA	800	320	
			24000	190	74				
			26000	180	74				
		3	24000	210	75				
			26000	200	75				
			28000	190	75				
CH-AF900	1450	5.5	28000	390	83	AH-12AA	900	320	
			34000	370	84				
			35000	350	84				
		7.5	31000	440	84				
			37000	410	85				
			39000	380	85				
		11	36000	515	86				
			39000	470	86				
			43000	380	86				
	960		2.2	21000	190				73
				25000	180				73
				26400	160				73
	3	23800	225	74					
		26300	225	74					
		28600	167	74					
		4	31000	230	75				
			32500	210	75				
			34400	195	75				
CH-AF1000	1450	11	41666	470	86	AH-12AA	1000	320	
			49200	440	87				
			51900	420	87				
		15	46200	520	86				
			54680	487	87				
			57700	450	87				
		18.5	52000	605	87				
			57500	560	88				
			62400	450	88				
			22	64700	670				88
				67500	615				89
				71400	550				89

PERFORMANCE DATA STANDARD TYPE

Item	Speed	Power	Air Flow	Total Pressure	Noise	Blade		
	rpm	Kw	m ³ /h	Pa	dB	Blade Type	Blade Dia	Hub Dia
CH-AF1000	970	4	31000	240	76	AH-12AA	1000	320
			37000	220	76			
			38600	200	78			
		5.5	35000	270	77			
			38000	250	78			
			42000	225	78			
		7.5	44000	330	78			
			46100	310	79			
			48700	280	79			
CH-AF1120	1400	18.5	53000	590	88	DH-14AA/D	1120	440
			59000	550	89			
			65000	500	89			
		22	59000	690	89			
			67000	600	89			
			71000	430	90			
		30	69000	1100	89			
			79000	965	90			
			84200	690	91			
	960	5.5	36000	330	81			
			40000	300	83			
			43000	270	83			
		7.5	40000	370	82			
			46000	330	83			
			52000	300	84			
		11	50000	460	84			
			56000	420	85			
			63000	380	85			
	720	4	35000	240	76			
			38000	220	77			
			42000	180	78			
5.5		38000	300	77				
		42000	260	78				
		48000	220	78				
CH-AF1250	960	7.5	50000	420	86	DH-14D	1250	440
			55000	400	87			
			60000	380	87			

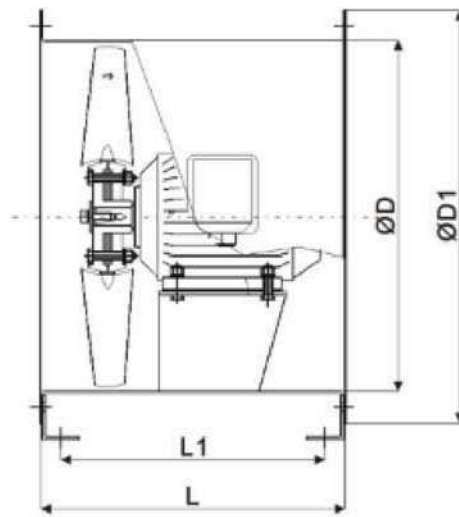
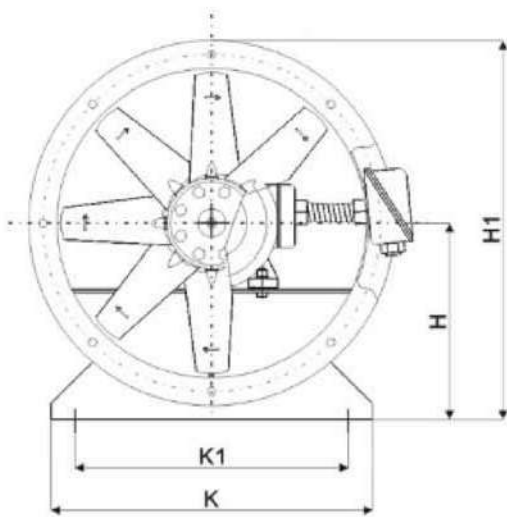
PERFORMANCE DATA STANDARD TYPE

Item	Speed	Power	Air Flow	Total Pressure	Noise	Blade			
	rpm	Kw	m ³ /h	Pa	dB	Blade Type	Blade Dia	Hub Dia	
CH-AF1250	960	11	55000	490	88	DH-14D	1250	440	
			65000	450	88				
			75000	410	88				
		15	60000	530	89				
			66000	500	90				
			72000	490	91				
	720	7.5	46000	310	83				
			52000	290	84				
			58000	270	84				
			60000	330	86				
			11	65000	310				87
				70000	290				87
CH-AF1400	960	22	75000	600	93	DH-14D	1400	440	
			80000	560	94				
			86000	500	95				
		30	80000	670	95				
			90000	640	96				
			100000	600	96				
		37	95000	730	98				
			108000	680	99				
			120000	630	99				
	720	11	58000	350	85				
			63000	320	86				
			69000	300	87				
		15	70000	410	87				
			80000	380	88				
			90000	350	88				
CH-AF1600	960	30	88000	690	95	HJ-18H	1600	500/640	
			95000	650	96				
			105000	600	96				
		37	95000	740	96				
			105000	690	96				
			120000	660	96				
		45	110000	800	97				
			125000	760	97				
			140000	700	97				

PERFORMANCE DATA STANDARD TYPE

Item	Speed	Power	Air Flow	Total Pressure	Noise	Blade		
	rpm	Kw	m ³ /h	Pa	dB	Blade Type	Blade Dia	Hub Dia
CH-AF1600	960	55	135000	860	98	HJ-18H	1600	500/640
			150000	780	98			
			170000	750	98			
	720	15	75000	400	88			
			85000	350	89			
			100000	310	89			
		18.5	90000	430	90			
			105000	370	90			
			120000	320	91			
			100000	430	91			
		22	120000	390	92			
			135000	350	92			
			110000	420	92			
CH-AF1800	720	22	130000	360	93	HJ-18H	1800	500/640
			150000	310	93			
			130000	470	94			
		30	150000	400	94			
			170000	310	95			
			150000	480	96			
		37	170000	430	97			
			190000	390	98			
			150000	480	96			

PRODUCT SIZE STANDARD TYPE ◀



Unit: mm

Item	H1	H	ΦD	ΦD1	L	L1	K	K1
CH-AF280	392	220	283	343	212	175	240	180
CH-AF315	389	210	316	376	260	225	270	210
CH-AF355	439	230	358	418	285	250	300	240
CH-AF400	497	260	404	474	330	290	350	290
CH-AF450	552	290	454	524	330	290	400	330
CH-AF500	613	320	505	585	430	380	450	370
CH-AF560	683	360	565	645	430	380	490	410
CH-AF630	758	400	635	715	430	380	540	460
CH-AF710	854	450	717	807	550	490	650	570
CH-AF800	959	510	808	898	550	490	770	690
CH-AF900	1075	570	909	1009	670	610	850	750
CH-AF1000	1195	640	1010	1110	670	610	950	850
CH-AF1120	1305	690	1130	1230	670	610	1060	910
CH-AF1250	1445	760	1260	1370	820	760	1150	1000
CH-AF1400	1603	840	1415	1525	1160	1080	1250	1100
CH-AF1600	1850	960	1620	1780	1160	1060	1400	1250
CH-AF1800	2070	1080	1820	1980	1160	1060	1500	1350

AXIAL FAN ▶ HIGH TEMPERATURE TYPE



Axial Fan / High Temperature Type		
Technical Specification		
Impeller Dia Range Ø	mm	400 ~ 1000
Air flow	CMH	3100 ~ 71400
Air pressure	Pa	88 ~ 800
Electric Option	V/HA/Phase	110V/220V/380V/420V 50HZ/60HZ Single Phase / 3phase
Power Option	KW	0.25 ~ 22
Motor Grade	Protection	IP44, IP54, IP55
	Insulation	IE2 / IE3 or higher class is available
Material Option	Fan housing Frame	Mile Steel with Powder Coating #304 S.S., #316 S.S., #316L S.S.
	Fan impeller	Aluminum Alloy #304 S.S., #316 S.S., #316L S.S.
Driven Option		Direct (A)
Operating Temperature		300°C for 1 hours
Customizable		

Applications:

Ventilation System of Building, Mining, Air-conditioning system (HVAC), Fire-fighting.

Fan for machinery such as painting room, drying room, air filter.

Advantages:

- ⊙ Compact structure.
- ⊙ Various material for different usage condition & situation: Mile steel, Stainless Steel #304/#316/#316L.
- ⊙ Transportation gas temperature at -20°C ~ 300°C.
- ⊙ Test by completed build-up centrifugal fan, the air Performance Parameter is truth and reliable.
- ⊙ High static efficiency.

PERFORMANCE DATE HIGH TEMPERATURE TYPE

Item	Speed	Power	Air Flow	Total Pressure	Noise	Blade		
	rpm	Kw	m ³ /h	Pa	dB	Blade Type	Blade Dia	Hub Dia
CH-AF400HT	2800	1.5	5500	390	77	CH-10C	400	160
			6100	370	77			
			6800	330	80			
		2.2	5800	410	78			
			6500	400	80			
			7300	390	80			
	1400	0.25	3100	95	63			
			3700	90	64			
			4300	88	66			
		0.37	3600	100	63			
			4000	96	64			
			4800	90	65			
CH-AF500HT	2850	4	7500	680	78	AH-8AA	500	220
			8800	560	78			
		5.5	9500	430	79			
			8500	600	80			
			9600	560	81			
			10300	500	81			
		7.5	9500	620	82			
			10600	610	83			
			12000	600	83			
CH-AF500HT	1420	0.55	6900	150	68	CH-10C	500	160
			7200	130	69			
			8500	110	71			
		0.75	7200	160	70			
			8500	140	73			
			9300	120	75			
		1.1	8300	180	72			
			9000	160	74			
			9600	150	75			
CH-AF560HT	2900	4	8700	550	84	AH-9AA	560	220
			10000	490	83			
			12600	350	82			
		5.5	10000	590	83			
			11000	550	83			
			13000	480	83			

PERFORMANCE DATE

► HIGH TEMPERATURE TYPE

Item	Speed	Power	Air Flow	Total Pressure	Noise	Blade		
	rpm	Kw	m ³ /h	Pa	dB	Blade Type	Blade Dia	Hub Dia
CH-AF560HT	2900	7.5	11000	700	86	AH-9AA	560	220
			13000	600	85			
			14800	520	85			
		1.1	12000	800	87			
			14000	680	87			
			16000	600	87			
CH-AF560HT	1450	0.75	9000	200	71	CH-10C	560	160
			10000	180	69			
			11000	160	71			
		1.1	9300	205	73			
			10500	185	73			
			11500	165	73			
		1.5	11000	210	74			
			12500	190	75			
CH-AF630HT	1450	1.1	13900	170	76	CH-10C	630	160
			12600	220	74			
			14500	200	75			
			16000	180	76			
		1.5	13000	245	76			
			15000	225	78			
			16000	175	78			
		2.2	13500	265	76			
			15500	245	78			
	17000		195	79				
	960	0.75	10000	140	65			
			11500	120	66			
			12600	100	67			
CH-AF710HT	1450	1.5	14500	250	76	AH-9AA	710	220
			16500	220	77			
			18000	200	78			
		2.2	16500	300	77			
			18000	260	78			
			20000	230	78			
		3	18000	370	79			
			20000	330	78			
			21000	290	80			

PERFORMANCE DATE HIGH TEMPERATURE TYPE

Item	Speed	Power	Air Flow	Total Pressure	Noise	Blade			
	rpm	Kw	m ³ /h	Pa	dB	Blade Type	Blade Dia	Hub Dia	
CH-AF710HT	1450	4	20000	400	80	AH-9AA	710	220	
			21500	370	81				
			23000	330	81				
	960	0.75	12600	160	68				
			14500	130	70				
			16200	100	70				
		1.1	16500	140	71				
			18000	130	71				
			19000	120	71				
CH-AF800HT	1450	4	23000	330	79	AH-12AA	800	320	
			25000	300	80				
			28000	290	80				
		5.5	25000	400	84				
			27200	360	84				
			30000	330	84				
		7.5	28000	450	85				
			31000	430	86				
			33000	400	86				
	960		1.5	18000	200				73
				20000	180				73
				21000	150				73
		2.2	22000	200	74				
			24000	190	74				
			26000	180	74				
		3	24000	210	75				
			26000	200	75				
			28000	190	75				
CH-AF900HT	1450		5.5	28000	390	83	AH-12AA	900	320
				34000	370	84			
				35000	350	84			
		7.5	31000	440	84				
			37000	410	85				
			39000	380	85				
		11	36000	515	86				
			39000	470	86				
			43000	380	86				

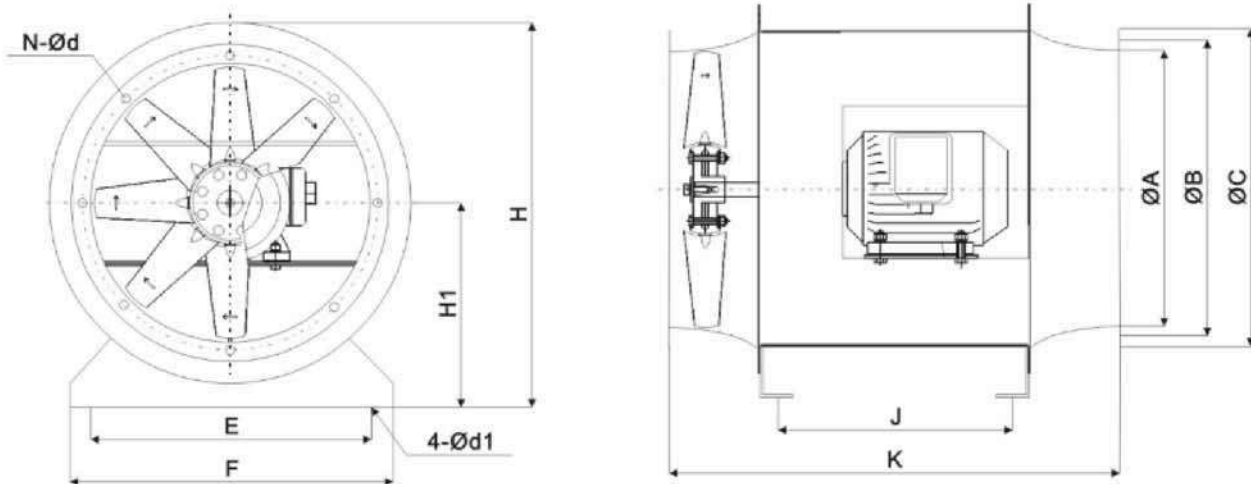
PERFORMANCE DATE

► HIGH TEMPERATURE TYPE

Item	Speed	Power	Air Flow	Total Pressure	Noise	Blade							
	rpm	Kw	m ³ /h	Pa	dB	Blade Type	Blade Dia	Hub Dia					
CH-AF900HT	960	2.2	21000	190	73	AH-12AA	900	320					
			25000	180	73								
			26400	160	73								
		3	23800	225	74								
			26300	225	74								
			28600	167	74								
		4	31000	230	75								
			32500	210	75								
			34400	195	75								
		CH-AF1000HT	1450	11	41666				470	86	AH-12AA	1000	320
					49200				440	87			
					51900				420	87			
15	46200			520	86								
	54680			487	87								
	57700			450	87								
18.5	52000			605	87								
	57500			560	88								
	62400			450	88								
22	64700			670	88								
	67500			615	89								
	71400			550	89								
970	4			31000	240	76							
				37000	220	76							
				38600	200	78							
	5.5			35000	270	77							
				38000	250	78							
				42000	225	78							
7.5	44000		330	78									
	46100		310	79									
	48700		280	79									

PRODUCT SIZE

HIGH TEMPERATURE TYPE





Unit: mm

Item	ΦA	ΦB	ΦC	J	K	E	F	H1	H	N-Φd	4-Φd1
CH-AF400HT	404	440	474	455	795	320	400	310	575	8-Φ10	4-Φ12
CH-AF500HT	505	545	585	535	885	410	490	370	690	8-Φ10	4-Φ12
CH-AF560HT	565	605	645	640	990	440	520	410	765	8-Φ10	4-Φ12
CH-AF630HT	635	675	715	640	990	460	540	450	835	12-Φ10	4-Φ14
CH-AF710HT	717	760	807	665	1050	550	650	500	920	12-Φ10	4-Φ14
CH-AF800HT	808	855	898	850	1310	650	750	550	1025	16-Φ10	4-Φ14
CH-AF900HT	909	960	1009	885	1345	750	850	610	1130	16-Φ12	4-Φ16
CH-AF1000HT	1010	1060	1110	965	1425	850	950	660	1232	16-Φ12	4-Φ16

AXIAL FAN ▶ BELT DRIVEN TYPE



Axial Fan / Belt Driven Type		
Technical Specification		
Impeller Dia Range Ø	mm	315 ~ 1120
Air flow	CMH	1450 ~ 84200
Air pressure	Pa	55 ~ 1100
Electric Option	V/HA/Phase	110V/220V/380V/420V
		50HZ/60HZ Single Phase / 3phase
Power Option	KW	0.25 ~ 22
Motor Grade	Protection	IP44
	Insulation	B Class
Material Option	Fan housing Frame	Mile Steel with Powder Coating
		#304 S.S., #316 S.S., #316L S.S.
	Fan impeller	Aluminum Alloy #304 S.S., #316 S.S., #316L S.S.
Driven Option		Belt (B,C,E,F)
Function Option	Popular	For normal usage situation
	Explosion	
	Firefighting	
Customizable		

Applications:

Ventilation System of Building, Mining, Air-conditioning system (HVAC), Fire-fighting.

Fan for machinery such as painting room, drying room, air filter.

Advantages:

- ⊙ Compact structure.
- ⊙ Material for different usage condition & situation: Mile steel, Stainless Steel #304/#316/#316L.
- ⊙ Transportation gas temperature at -20°C ~ 100°C.
- ⊙ Test by completed build-up centrifugal fan, the air Performance Parameter is truth and reliable.
- ⊙ High static efficiency.

PERFORMANCE DATE BELT DRIVEN TYPE

Item	Speed	Power	Air Flow	Total Pressure	Noise	Blade		
	rpm	Kw	m ³ /h	Pa	dB	Blade Type	Blade Dia	Hub Dia
CH-AF315-C	2800	0.25	2200	200	73	CH-8C	315	150
			1500	185	73			
			2800	170	74			
		0.37	2800	220	75			
			3200	200	76			
			3900	190	78			
		0.55	3200	260	76			
			3600	240	78			
			3960	230	78			
	1440	0.09	1450	60	58			
			1800	58	60			
			2000	55	61			
CH-AF355-C	2800	0.55	3500	280	74	CH-10C	355	160
			4000	270	74			
			4600	250	75			
		0.75	4000	290	76			
			4580	275	76			
			5200	265	79			
		1.1	4580	320	77			
			5150	300	79			
			5660	290	79			
	1400	0.12	2075	75	59			
			2570	70	61			
			2860	69	62			
		0.18	2920	72	60			
			3100	70	61			
			5000	68	62			
CH-AF400-C	2800	1.5	5500	390	77	CH-10C	400	160
			6100	370	77			
			6800	330	80			
		2.2	5800	410	78			
			6500	400	80			
			7300	390	80			
	1400	0.25	3100	95	63			
			3700	90	64			
			4300	88	66			

PERFORMANCE DATE

▶ BELT DRIVEN TYPE

Item	Speed	Power	Air Flow	Total Pressure	Noise	Blade		
	rpm	Kw	m ³ /h	Pa	dB	Blade Type	Blade Dia	Hub Dia
CH-AF400-C	1400	0.37	3600	100	63	CH-10C	400	160
			4000	96	64			
			4800	90	65			
CH-AF500-C	2850	4	7500	680	78	AH-8AA	500	220
			8800	560	78			
			9500	430	79			
		5.5	8500	600	80			
			9600	560	81			
			10300	500	81			
			9500	620	82			
		7.5	10600	610	83			
			12000	600	83			
CH-AF500-C	1420	0.55	6900	150	68	CH-10C	500	160
			7200	130	69			
			8500	110	71			
		0.75	7200	160	70			
			8500	140	73			
			9300	120	75			
			8300	180	72			
		1.1	9000	160	74			
			9600	150	75			
CH-AF560-C	2900	4	8700	550	84	AH-9AA	560	220
			10000	490	83			
			12600	350	82			
		5.5	10000	590	83			
			11000	550	83			
			13000	480	83			
			11000	700	86			
		7.5	13000	600	85			
			14800	520	85			
			12000	800	87			
	1.1	14000	680	87				
		16000	600	87				
	1450	0.75	9000	200	71	CH-10C	560	160
			10000	180	69			
11000			160	71				
1.1		9300	205	73				
		10500	185	73				
		11500	165	73				

PERFORMANCE DATA BELT DRIVEN TYPE

Item	Speed	Power	Air Flow	Total Pressure	Noise	Blade		
	rpm	Kw	m³/h	Pa	dB	Blade Type	Blade Dia	Hub Dia
CH-AF560-C	1450	1.5	11000	210	74	CH-10C	560	160
			12500	190	75			
			13900	170	76			
CH-AF630-C	1450	1.1	12600	220	74	CH-10C	630	160
			14500	200	75			
			16000	180	76			
		1.5	13000	245	76			
			15000	225	78			
			16000	175	78			
			13500	265	76			
	960	0.75	10000	140	65			
			11500	120	66			
			12600	100	67			
	CH-AF710-C	1450	1.5	14500	250			
16500				220	77			
18000				200	78			
2.2			16500	300	77			
			18000	260	78			
			20000	230	78			
			18000	370	79			
3			20000	330	78			
			21000	290	80			
			20000	400	80			
960		0.75	21500	370	81			
			23000	330	81			
			12600	160	68			
			14500	130	70			
			16200	100	70			
1.1	16500	140	71					
	18000	130	71					
	19000	120	71					
	23000	330	81					
CH-AF800-C	14500	4	23000	330	79	AH-12AA	800	320
			25000	300	80			
			28000	290	80			
		5.5	25000	400	84			
			27200	360	84			
			30000	330	84			

PERFORMANCE DATE

▶ BELT DRIVEN TYPE

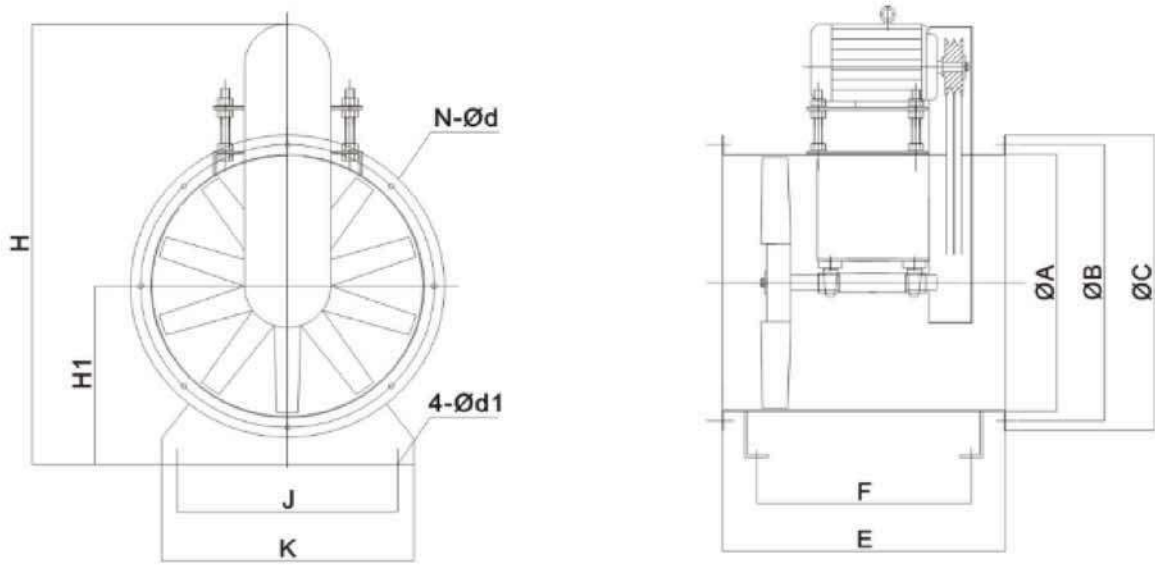
Item	Speed	Power	Air Flow	Total Pressure	Noise	Blade		
	rpm	Kw	m ³ /h	Pa	dB	Blade Type	Blade Dia	Hub Dia
CH-AF800-C	1450	7.5	28000	450	85	AH-12AA	800	320
			31000	430	86			
			33000	400	86			
	960	1.5	18000	200	73			
			20000	180	73			
			21000	150	73			
		2.2	22000	200	74			
			24000	190	74			
			26000	180	74			
		3	24000	210	75			
			26000	200	75			
			28000	190	75			
CH-AF900-C	1450	5.5	28000	390	83	AH-12AA	900	320
			34000	370	84			
			35000	350	84			
		7.5	31000	440	84			
			37000	410	85			
			39000	380	85			
		11	36000	515	86			
			39000	470	86			
			43000	380	86			
	960	2.2	21000	190	73			
			25000	180	73			
			26400	160	73			
		3	23800	225	74			
			26300	225	74			
			28600	167	74			
		4	31000	230	75			
			32500	210	75			
			34400	195	75			
CH-AF1000-C	1450	11	41666	470	86	AH-12AA	1000	320
			49200	440	87			
			51900	420	87			
		15	46200	520	86			
			54680	487	87			
			57700	450	87			
		18.5	52000	605	87			
			57500	560	88			
			62400	450	88			

PERFORMANCE DATA BELT DRIVEN TYPE

Item	Speed	Power	Air Flow	Total Pressure	Noise	Blade		
	rpm	Kw	m ³ /h	Pa	dB	Blade Type	Blade Dia	Hub Dia
CH-AF1000-C	1450	22	64700	670	88	AH-12AA	1000	320
			67500	615	89			
			71400	550	89			
	970	4	31000	240	76			
			37000	220	76			
			38600	200	78			
		5.5	35000	270	77			
			38000	250	78			
			42000	225	78			
		7.5	44000	330	78			
			46100	310	79			
			48700	280	79			
CH-AF1120-C	1400	18.5	53000	590	88	DH-14AA/D	1120	440
			59000	550	89			
			65000	500	89			
		22	59000	690	89			
			67000	600	89			
			71000	430	90			
		30	69000	1100	89			
			79000	965	90			
			84200	690	91			
	960	5.5	36000	330	81			
			40000	300	83			
			43000	270	83			
		7.5	40000	370	82			
			46000	330	83			
			52000	300	84			
		11	50000	460	84			
			56000	420	85			
			63000	380	85			
	720	4	35000	240	76			
			38000	220	77			
			42000	180	78			
5.5		38000	300	77				
		42000	260	78				
		48000	220	78				

PRODUCT SIZE

▶ BELT DRIVEN TYPE





Unit: mm

Item	ΦA	ΦB	ΦC	F	E	J	K	H	H1	N-Φd	4-Φd1
CH-AF315-C	316	350	376	385	420	210	270	600	210	8-Φ10	4-Φ12
CH-AF355-C	358	390	418	385	420	240	300	660	230	8-Φ10	4-Φ12
CH-AF400-C	404	440	474	380	420	290	350	740	260	8-Φ12	4-Φ12
CH-AF500-C	505	545	585	500	550	370	450	755	320	12-Φ12	4-Φ15
CH-AF560-C	565	605	645	500	550	460	540	955	400	12-Φ12	4-Φ15
CH-AF630-C	635	675	715	620	670	570	650	1115	450	12-Φ12	4-Φ15
CH-AF710-C	717	760	807	610	670	690	770	1250	510	12-Φ12	4-Φ19
CH-AF800-C	808	855	898	740	800	750	850	1360	570	12-Φ12	4-Φ19
CH-AF900-C	909	960	1009	740	800	850	950	1500	640	12-Φ12	4-Φ19
CH-AF1000-C	1010	1060	1110	840	900	910	1060	1590	690	16-Φ12	4-Φ22
CH-AF1120-C	1130	1180	1230	840	900	1000	1150	1730	760	16-Φ12	4-Φ22

AXIAL FAN ▶ MOVABLE TYPE



Axial Fan / Movable Type		
Technical Specification		
Impeller Dia Range Ø	mm	400 ~ 800
Air flow	CMH	3100 ~ 33000
Air pressure	Pa	88 ~ 450
Electric Option	V/HA/Phase	110V/220V/380V/420V 50HZ/60HZ Single Phase / 3phase
Power Option	KW	0.25 ~ 11
Motor Grade	Protection	IP44
	Insulation	B Class
Material Option	Fan housing Frame	Mile Steel with Powder Coating
	Fan impeller	Aluminum Alloy #304 S.S., #316 S.S., #316L S.S.
Driven Option		Direct (A), Belt (B,C,E,F), Coupling (D)
Function Option	Popular	For normal usage situation
	Explosion	
	Firefighting	
Customizable		

Applications:

Ventilation System of Building, Mining, Air-conditioning system (HVAC), Fire-fighting.

Fan for machinery such as painting room, drying room, air filter.

Advantages:

- ⊙ Compact structure.
- ⊙ Material: Mile steel with powder coating.
- ⊙ Transportation gas temperature at -20°C ~ 100°C.
- ⊙ Test by completed build-up centrifugal fan, the air Performance Parameter is truth and reliable.
- ⊙ High static efficiency.

PERFORMANCE DATA MOVABLE TYPE

Item	Speed	Power	Air Flow	Total Pressure	Noise	Blade		
	rpm	Kw	m ³ /h	Pa	dB	Blade Type	Blade Dia	Hub Dia
CH-AF400M	2800	1.5	5500	390	77	CH-10C	400	160
			6100	370	77			
			6800	330	80			
		2.2	5800	410	78			
			6500	400	80			
			7300	390	80			
	1400	0.25	3100	95	63			
			3700	90	64			
			4300	88	66			
		0.37	3600	100	63			
			4000	96	64			
			4800	90	65			
CH-AF450M	2850	2.2	6020	480	76	CH-8C	450	160
			7040	460	76			
			7800	400	77			
		3	7040	490	81			
			7800	460	78			
			8700	410	78			
		4	7400	510	83			
			8300	500	82			
			9300	490	80			
	1400	0.55	4500	120	100			
			4900	115	95			
			5500	110	80			
		0.75	4600	140	110			
			5700	135	102			
			7000	132	95			
CH-AF500M	2850	4	7500	680	78	AH-8AA	500	220
			8800	560	78			
			9500	430	79			
		5.5	8500	600	80			
			9600	560	81			
			10300	500	81			
		7.5	9500	620	82			
			10600	610	83			
			12000	600	83			

PERFORMANCE DATA

▶ MOVABLE TYPE

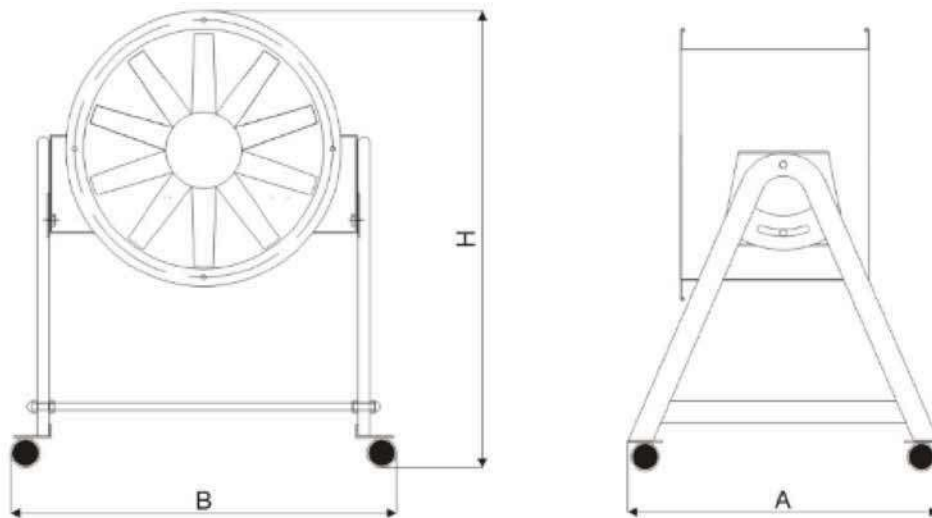
Item	Speed	Power	Air Flow	Total Pressure	Noise	Blade		
	rpm	Kw	m ³ /h	Pa	dB	Blade Type	Blade Dia	Hub Dia
CH-AF500M	420	0.55	6900	150	68	CH-10C	500	160
			7200	130	69			
			8500	110	71			
		0.75	7200	160	70			
			8500	140	73			
			9300	120	75			
		1.1	8300	180	72			
			9000	160	74			
			9600	150	75			
CH-AF560M	2900	4	8700	550	84	AH-9AA	560	220
			10000	490	83			
			12600	350	82			
		5.5	10000	590	83			
			11000	550	83			
			13000	480	83			
		7.5	11000	700	86			
			13000	600	85			
			14800	520	85			
		11	12000	800	87			
			14000	680	87			
			16000	600	87			
CH-AF560M	1450	0.75	9000	200	71	CH-10C	560	160
			10000	180	69			
			11000	160	71			
		1.1	9300	205	73			
			10500	185	73			
			11500	165	73			
		1.5	11000	210	74			
			12500	190	75			
			13900	170	76			
CH-AF630M	1450	1.1	12600	220	74	CH-10C	630	160
			14500	200	75			
			16000	180	76			
		1.5	13000	245	76			
			15000	225	78			
			16000	175	78			
		2.2	13500	265	76			
			15500	245	78			
			17000	195	79			

PERFORMANCE DATA MOVABLE TYPE

Item	Speed	Power	Air Flow	Total Pressure	Noise	Blade		
	rpm	Kw	m ³ /h	Pa	dB	Blade Type	Blade Dia	Hub Dia
CH-AF630M	960	0.75	10000	140	65	CH-10C	630	160
			11500	120	66			
			12600	100	67			
CH-AF710M	1450	1.5	14500	250	76	AH-9AA	710	220
			16500	220	77			
			18000	200	78			
		2.2	26500	300	77			
			18000	260	78			
			20000	230	78			
		3	18000	370	79			
			20000	330	78			
			21000	290	80			
	4	20000	400	80				
		21500	370	81				
		23000	330	81				
	960	0.75	12600	160	68			
			14500	130	70			
			16200	100	70			
1.1		16500	140	71				
		18000	130	71				
		19000	120	71				
CH-AF800M	1450	4	23000	330	79	AH-12AA	800	320
			25000	300	80			
			28000	290	80			
		5.5	25000	400	84			
			27200	360	84			
			30000	330	84			
	7.5	28000	450	85				
		31000	430	86				
		33000	400	86				
	960	1.5	18000	200	73			
			20000	180	73			
			21000	150	73			
2.2		22000	200	74				
		24000	190	74				
		26000	180	74				
3		24000	210	75				
		26000	200	75				
		28000	190	75				

PRODUCT SIZE

▶ MOVABLE TYPE



Unit: mm

Item	A	B	H
CH-AF400M	660	700	985
CH-AF450M	660	750	1010
CH-AF500M	660	800	1040
CH-AF560M	660	860	1070
CH-AF630M	660	930	1105
CH-AF710M	660	1015	1155
CH-AF800M	660	1105	1200



CHOSEN VENT TECH LTD.

Address: No.201-1 of 22, International Woodworking Machinery Area, Licun Lunjiao, Shunde District, Foshan City, Guangdong, China

Production Base: 102 No.5 west of Xianchongzhongxin Road, Qiaonan Street, Panyu District, Guangzhou, China

Tel: +86-757-27888568

Fax: +86-757-27888568

E-mail: info@ch-ventilation.com

Website: www.ch-ventilation.com