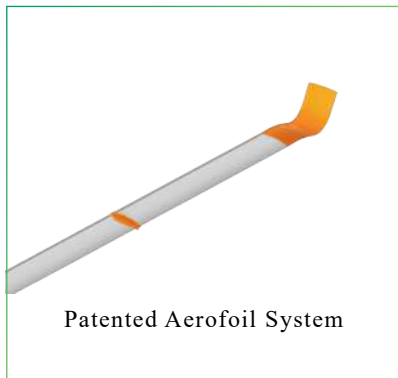


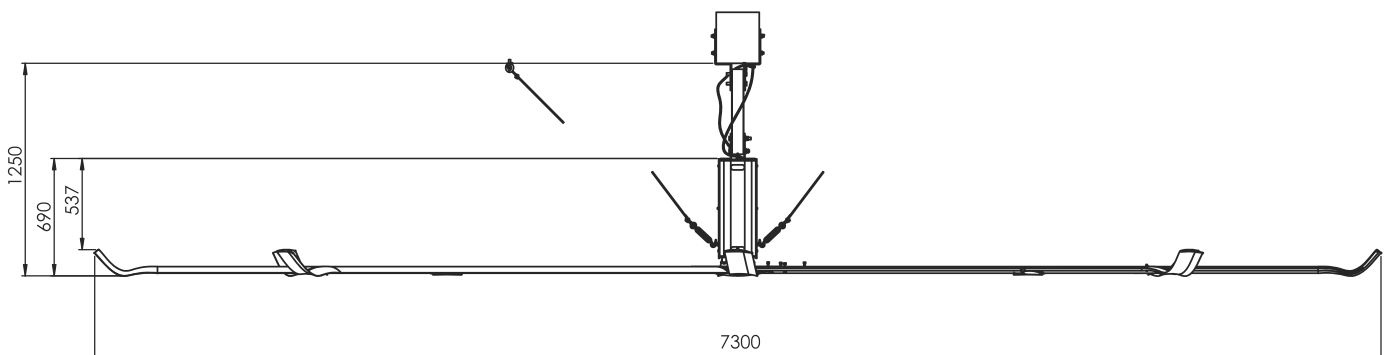
AC Electricity For Industrial Applications

- Fan diameter range: 4.9m, 5.5m, 6.1m, 7.3m
 - ABM motor, from Germany
 - EMERSON inverter, from UK.
- Professional design with easy operation, pretty long service life.
- Aerofoil System, with centripetal guide design, the airflow be increase 28% meanwhile makes body's feeling comfortable.
 - Fan blades be made by Aviation Alumium Alloy, with Fall-out-stop design, safty for use.



Technical Specification

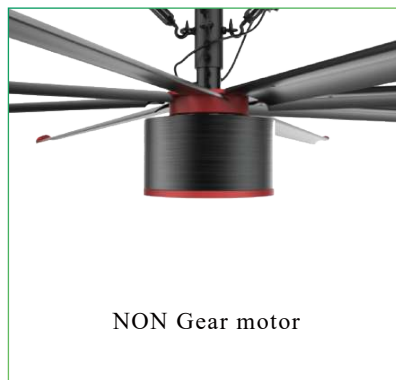
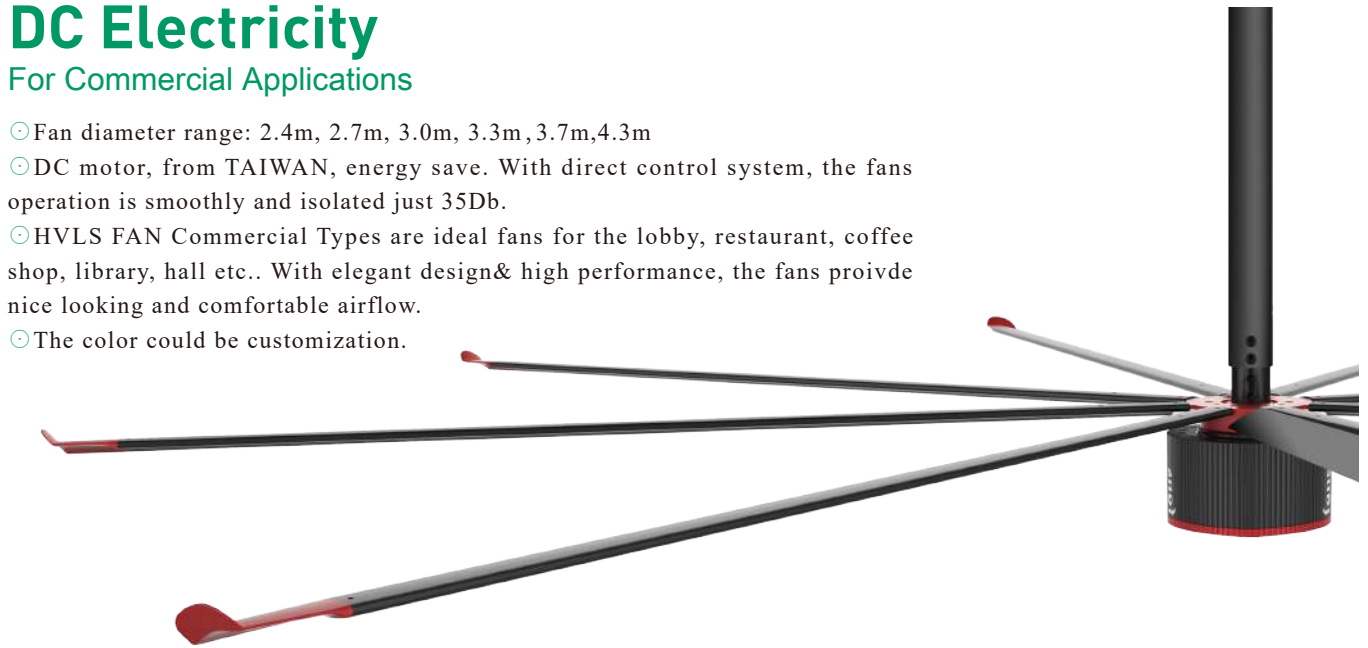
Model	Size	Material	Color	Power	Rotation	Wind Speed	Air Flow	Area of Coverage	Noise	Hanging Height	Weight
	(Dia.)			(KW)	(RPM)	(M/S)	(m3/s)	(m2)		(bottom to ground)	
HVC-8-4.9AC	4.9m	Aerometal	Alum. Or Customized	1.5	97	3.2	59	400	<55dB	4.5~6M	120
HVC-8-5.5AC	5.5m	Aerometal		1.5	86	3.5	70	500	<55dB	5~7M	127
HVC-8-6.1AC	6.1m	Aerometal		1.5	76	3.7	85	600	<55dB	6~8M	132
HVC-8-7.3AC	7.3m	Aerometal		1.5	63	3.9	108	700	<55dB	6~9M	157



DC Electricity

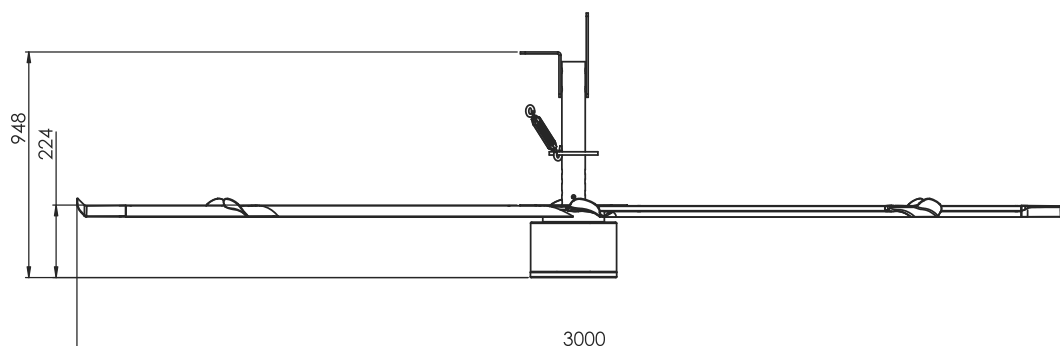
For Commercial Applications

- Fan diameter range: 2.4m, 2.7m, 3.0m, 3.3m, 3.7m, 4.3m
- DC motor, from TAIWAN, energy save. With direct control system, the fans operation is smoothly and isolated just 35Db.
- HVLS FAN Commercial Types are ideal fans for the lobby, restaurant, coffee shop, library, hall etc.. With elegant design & high performance, the fans provide nice looking and comfortable airflow.
- The color could be customization.



Technical Specification

Model	Size (Dia.)	Material	Color	Power	Rotation	Wind Speed	Air Flow	Area of Coverage	Noise	Hanging Height	Weight (KG)
				(W)	(RPM)	(M/S)	(m3/s)	(m2)		(bottom to ground)	
HVC-8-2.4DC	2.4m	Aerometal	Alum. Or Customized	435	158	2.3	19	186	<35dB	3.6~4.5M	34
HVC-8-2.7DC	2.7m	Aerometal		440	135	2.4	20	195	<35dB	3.6~4.5M	36
HVC-8-3.0DC	3.0m	Aerometal		455	107	2.5	21	205	<35dB	3.6~5M	37
HVC-8-3.3DC	3.3m	Aerometal		475	98	2.5	23.5	225	<35dB	3.6~5M	38
HVC-8-3.7DC	3.7m	Aerometal		495	76	2.6	24.5	265	<35dB	3.8~5.5M	40
HVC-8-4.3DC	4.3m	Aerometal		535	56	2.7	25.5	350	<35dB	4~6M	44



Components Show

Patented Aerofoil System

- With winglets design, eight aerofoils provide maximum air-flow and efficiency.
- Cuffed winglet design eliminates wind noise.
- Patented design of the endocentric air diversion blades & winglets redirect the fan's air velocity profile, contributing to a 28% improvement in coverage area.



ABM Motor from Germany - For AC Model

- The ABM's customized industrial fan driving device is used "NitroSeal Drive" gear box which is filled with aviation lubricating oil and Double Dustproof Seal to isolate contaminants.
- The device could be work in the temperature from -40°C ~ 175°C , totally free-maintenance function to make the HVLS FANS can work under atrocious conditions.
- Super energy save, IE2 grade, efficiency 83.8%.

NON Gear Motor - For DC models

- The NON Gear Motor could provide high torque while extremely low speed.
- Extremely low noise, just 35Db.
- The motor could be work both indoor & outdoor even humid environment.
- Customizable color.
- 10years warranty for the motor.



EMERSON Inverter from UK - For AC models

- The IGBT are produced in Infineon.
- Superior energy-saving effect, adjustable advanced energy-saving mode to further improve motor efficiency.
- Configured current reactor to suppress high-order harmonics of power supply, improve power factor configuration.
- With Anti-interference filtering, and reduce interference in inverter production.
- Easy for operation, with life warning device, all the main components from UK.



Controller - For DC models


- T- With SmartSense™ function, It could adjust the fan rotation speed according to the season conditions & temperature changes.
- The controller could be link to the integrated control system.



Applications



 No.201-1 of 22 , International Woodworking Machinery Area , Licun , Lunjiao , Shunde District , Foshan City , GD , CHINA

 +86 -757 -27888568

 info@ch-ventilation.com

 www.ch-ventilation.com

 <https://youtu.be/rFUZKJOrOWA>

 www.facebook.com/fschosen

 www.instagram.com/ventchosen

CHOSSEN VENT TECH LTD.