

CHOSEN

VENT TECH LTD.



PRODUCTS

Axial Fan
Centrifugal Fan
Fan Accessories
Mist Spray Fan
Evaporative Air Cooler
Hydroponic(Inline) Duct Fan
Exhaust Fan
Cooling Pad





CHOSEN

VENT TECH LTD. Company Profile

CHOSEN VENT TECH LTD. is a manufacturer who focus on the design and producing for the industrial & commercial ventilators. Our ventilators be use in ventilation system (supply or exhaust) of Building, Air-conditioning, Industrial (HVAC), Firefighting, the commercial & industrial (HVAC) system.

We have products ranges include completed fans & fan accessories. The fans include forward-curve & backward-curve centrifugal fans (Blowers), axial fans, misting fans. The accessories include forward-curve & backward-curve impellers, axial impellers, fan blades and so on. We are not only manufacture products for standard item with bulk quantity, but also we provide project solution and fan type selection. Custom, semi-custom, OEM, ODM also our advantages.

Our engineers who with more than 20years experience in fans design, with the help of the advanced processing equipments (Laser cuttings, CNC lathers & bendings, Rolling, Dynamic balance) and experienced workers, they ensure the fans with high quality. And the fans be test by airway system so their technical parameters are truth & reliable.

Currently, our products have been exported to more than 30countries, and win trust & affirmation of the clients.

We CHOSEN VENT TECH LTD will be your honest and reliable partner.

BACKWARD CENTRIFUGAL FAN



Backward Centrifugal Fan			
Technical Specification			
Impeller Dia Range Ø	mm	280 ~ 1400	
Air flow	CMH	(SWSI) 257 ~ 204000	
		(DWDI) 333 ~ 318500	
Air pressure	Pa	73 ~ 4121	
Electric Option	V/HA/Phase	220V/380V/420V	
		50HZ/60HZ 3phase	
Power Option	KW	0.55 ~ 110	
Motor Grade	Protection	IP44, IP54, IP55	
	Insulation	B, E, F	
Material Option	Fan housing Frame	Mile Steel with Powder Coating #304 S.S., #316 S.S., #316L S.S.	
		Aluminum Alloy	
	Fan impeller	Mile Steel with Powder Coating #304 S.S., #316 S.S., #316L S.S.	
Driven Option		Direct (A), Belt (B,C,E,F), Coupling (D)	
Function Option	Popular	For normal usage situation	
	Explosion		
	Firefighting		
			Customizable

Applications:

For Ventilation (supply or exhaust) System of Building, Air-conditioning , Industrial (HVAC), Firefighting, the commercial & industrial (HVAC) system.

For equipments or system of filtration & drying, fume hood & spray booth, painting room, food processing and so on.

Advantages:

- The Fan with Compact structure.
- The new type of the backward impeller comes with a front conical disc which match exactly with the air inlet to reduce airflow leakage and turbulence. improve efficiency and reduce noise.
- The impeller is made of moulding, with continuous welding in the settle machine, the components positioning is accurate, the strength is high , make sure of the precision of the processing and the product performance is more reliable.
- The impeller will do by twice dynamic balancing tests, one is after the completion of welding and the other is after coating. The balance grade of the impeller can be G2.5. It greatly improves the stability of the impeller operation, and reduces the vibration and noise.
- Transportation gas temperature at -20°C ~ 400°C.
- The fan performance be test by airway or AMCA both available, the fan performance data is truth and reliable.

PERFORMANCE DATA

SINGLE INLET ◀



Performance Data

Item	Impeller Dia	Power	Speed	Air Flow	Air Pressure	Voltage
	mm	Kw	rpm	m3/h	Pa	
CH-CBS280	280	0.75	2850	1204-3613	875-250	220V / 380V / 415-440V
CH-CBS315	315	1.5	2900	2058-4802	1231-441	
		1.1	2200	1561-3643	675-242	
		0.55	1450	1029-2401	308-110	
CH-CBS355	355	3	2900	2997-6994	1542-552	
		1.5	2400	2481-5788	1056-378	
		1.1	1900	1964-4582	662-237	
		0.55	1450	1499-3497	385-138	
CH-CBS400	400	5.5	2900	4288-10005	1958-701	
		4	2400	3549-8280	1341-480	
		2.2	1900	2809-6555	840-301	
		0.75	1450	2144-5003	489-175	
CH-CBS450	450	7.5	2900	6105-14246	2478-887	
		5.5	2400	5053-11789	1697-608	
		3	1900	4000-9333	1064-381	
		1.1	1450	3053-7123	619-222	
CH-CBS500	500	15	2900	8375-19541	3212-1150	
		11	2600	7508-17520	2582-925	
		11	2400	6931-16172	2200-788	
		7.5	2200	6353-14824	1848-662	
		5.5	2000	5776-13477	1528-547	
		4	1800	5198-12129	1237-443	
		3	1600	4621-10781	978-350	
		2.2	1440	4187-9771	803-288	
CH-CBS560	500	15	2240	9088-21206	2404-861	
		11	2000	8115-18934	1916-686	
		7.5	1800	7303-17040	1552-556	
		5.5	1600	6492-15147	1226-439	
		4	1440	5883-13727	1007-361	
		3	1200	4869-11360	690-247	
		2.2	1100	4463-10414	580-208	
		1.5	960	3895-9088	442-158	

PERFORMANCE DATA

▶ SINGLE INLET

Performance Data						
Item	Impeller Dia	Power	Speed	Air Flow	Air Pressure	Voltage
	mm	Kw	rpm	m3/h	Pa	V
CH-CBS630	630	18.5	2240	12940-30194	3042-1090	220V / 380V / 415-440V
		15	2000	11554-26959	2425-869	
		11	1800	10398-24263	1964-704	
		7.5	1600	9243-21567	1478-529	
		5.5	1400	8376-19545	1275-457	
		3	1250	7221-16849	947-339	
		2.2	1120	6470-15097	761-272	
		1.5	960	5546-12940	559-200	
CH-CBS710	710	22	1950	16124-37623	2928	
		18.5	1800	14884-34729	2614-936	
		11	1600	13230-30870	2065-740	
		7.5	1440	11990-27976	1665-596	
		7.5	1250	10336-24117	1023-431	
		5.5	1120	9261-21609	966-346	
		4	1000	8269-19294	770-276	
		3	960	7938-18522	676-242	
CH-CBS800	800	30 / 37	1800	21292-49681	3017-1080	
		22	1600	18926-44161	2503-896	
		18.5	1440	17033-39745	2027-726	
		11	1250	14786-34501	1513-542	
		7.5 / 11	1120	13248-30912	1168-418	
		7.5	960	11356-26496	901-323	
		3 / 2.2	800	9463-22080	620-222	
		3	710	8398-19596	493-177	
CH-CBS900	900	30	1440	28295-50526	2595-1155	
		22	1250	24561-43860	1955-870	
		18.5	1120	22007-39298	1570-699	
		15	1000	19649-35088	1251-557	
		11	900	17684-31579	1014-451	
		7.5	800	15719-28070	801-356	
		5.5	710	13951-24912	631-281	
		4	630	12379-22105	497-221	

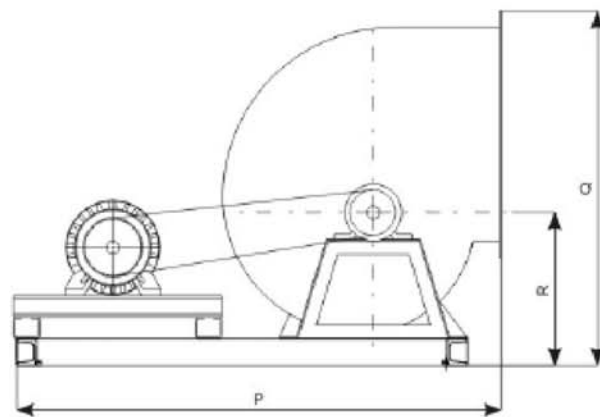
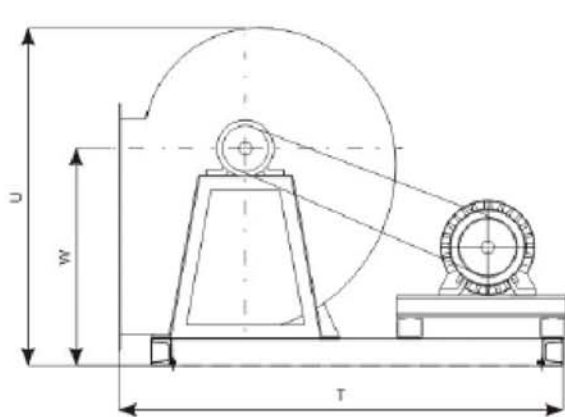
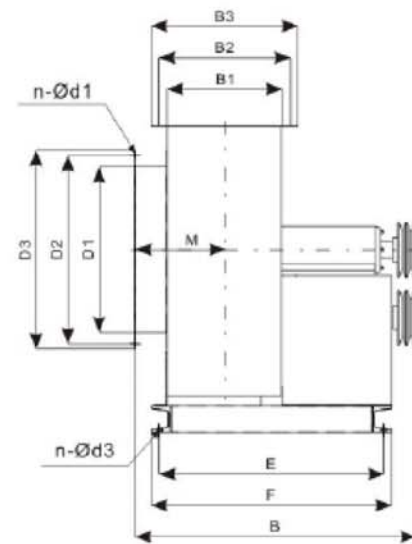
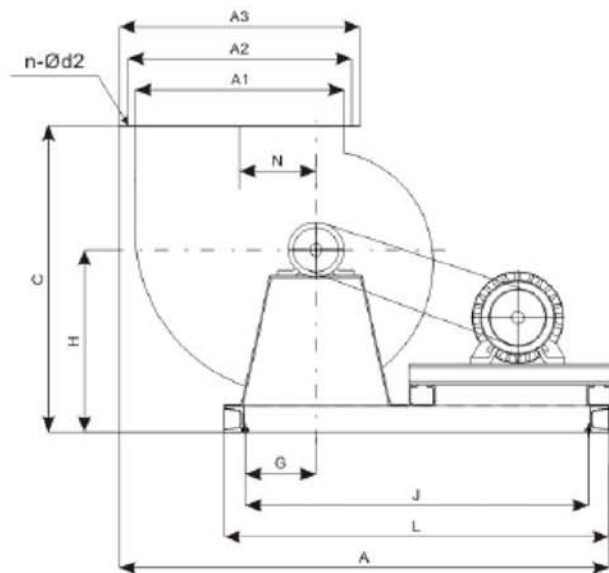
PERFORMANCE DATA SINGLE INLET

Performance Data

Item	Impeller Dia	Power	Speed	Air Flow	Air Pressure	Voltage
	mm	Kw	rpm	m3/h	Pa	V
CH-CBS1000	1000	37	1250	33692-60164	2414-1074	220V / 380V / 415-440V
		30	1120	30188-53907	1938-862	
		18.5	1000	26954-48131	1545-687	
		15	900	24258-43318	1251-557	
		11	800	21563-38505	989-453	
		7.5	710	19137-34173	779-357	
		5.5	630	16981-30323	613-281	
		4	560	15094-26954	484-222	
CH-CBS1120	1120	55	1120	42412-75736	2431-1082	
		45	1000	37868-67621	1938-862	
		30	900	34081-60859	1570-699	
		22	800	30294-54097	1240-552	
		18.5	710	26886-48011	977-435	
		15	630	23857-42601	769-342	
		11	560	21206-37868	608-270	
		7.5	500	18934-33811	484-216	
CH-CBS1250	1250	75	1120	58961-105287	3028-1347	
		55	1000	52644-94006	2414-1074	
		45	900	47379-84606	1955-870	
		37	800	42115-75205	1545-687	
		22	710	37377-66745	1217-542	
		18.5	630	33165-59224	958-426	
		11	560	29480-52644	757-337	
		7.5	500	26322-47003	603-269	
CH-CBS1400	1400	110	1000	68678-110941	3045-2118	
		75	900	61810-99847	2467-1716	
		55	800	54942-88753	1949-1356	
		45	710	48761-78768	1535-1068	
		30	630	43267-69893	1209-841	
		18.5	560	38459-62127	955-664	
		15	500	34339-55470	761-530	
		11	450	30905-49923	617-429	

PRODUCT SIZE

▶ BELT DRIVEN



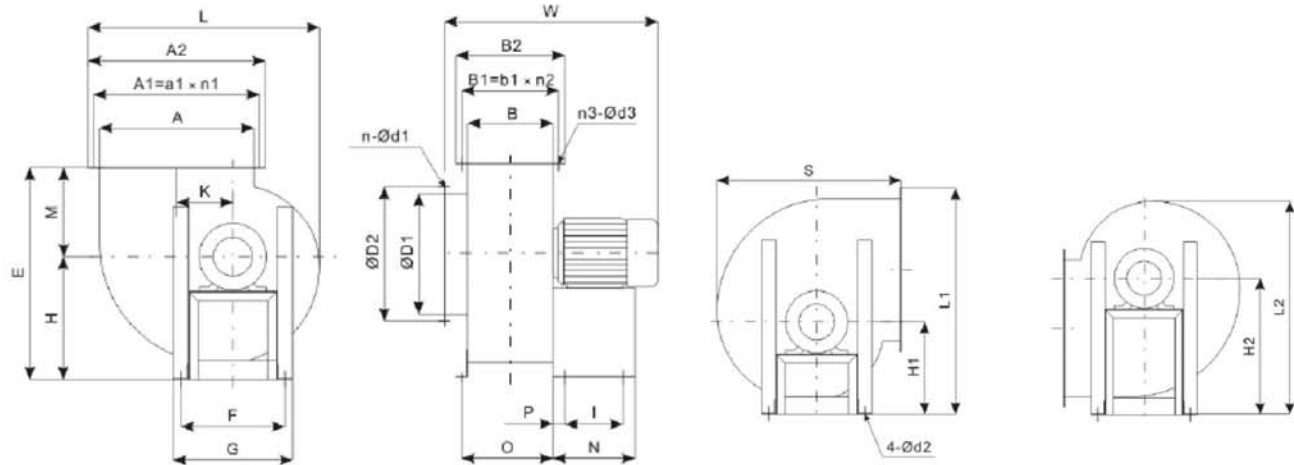
PRODUCT SIZE BELT DRIVEN

Unit: mm

Item	Inlet Size				Outlet Size							Installation Dimensions					
	ΦD1	ΦD2	ΦD3	n-Φd1	A1	A2	A3	B1	B2	B3	n-Φd2	E	F	G	J	L	n-Φd3
CH-CBS280	280	315	340	8-Φ10	355	381	405	196	222	246	10-Φ10	410	445	118	118	815	4-Φ10
CH-CBS315	315	350	375	8-Φ10	400	432	460	220	250	280	10-Φ10	430	460	135	135	840	4-Φ10
CH-CBS355	355	390	415	8-Φ10	450	480	510	245	276	305	12-Φ10	545	580	155	155	960	6-Φ10
CH-CBS400	400	440	470	8-Φ10	500	536	570	276	312	346	14-Φ10	530	565	173	173	1025	6-Φ12
CH-CBS450	450	490	520	8-Φ10	560	596	630	310	345	380	14-Φ10	645	685	165	165	1025	6-Φ12
CH-CBS500	500	540	570	8-Φ10	630	665	700	345	381	415	16-Φ10	755	790	185	185	1200	6-Φ12
CH-CBS560	560	605	640	8-Φ10	710	745	780	383	420	453	18-Φ12	800	840	185	185	1230	6-Φ15
CH-CBS630	630	675	710	12-Φ10	800	840	880	431	476	513	20-Φ12	855	900	210	210	1285	6-Φ15
CH-CBS710	710	755	790	12-Φ12	900	942	980	480	520	560	20-Φ12	910	1010	235	235	1380	6-Φ15
CH-CBS800	800	860	886	12-Φ12	1000	1043	1080	550	592	630	22-Φ12	1015	1055	250	250	1450	6-Φ15
CH-CBS900	900	950	986	12-Φ15	1120	1169	1220	600	650	700	24-Φ12	1320	1365	325	325	1575	8-Φ15
CH-CBS1000	1000	1050	1086	16-Φ15	1250	1302	1350	680	730	780	24-Φ12	1490	1535	340	340	1655	8-Φ15
CH-CBS1120	1120	1180	1226	16-Φ15	1400	1456	1500	760	810	860	26-Φ12	1560	1610	400	400	2000	10-Φ19
CH-CBS1250	1250	1310	1356	24-Φ15	1560	1608	1660	810	860	910	26-Φ12	1660	1710	435	435	2105	10-Φ19
CH-CBS1400	1400	1460	1506	24-Φ15	1750	1800	1850	920	970	1020	28-Φ15	2034	2085	542.5	542.5	2480	12-Φ19

Item	Dimensions (90°)						Dimensions (0°)			Dimensions (180°)			
	A	B	C	H	M	N	T	U	W	P	Q	R	W
CH-CBS280	978	520	550	310	159	127	887	574	375	887	590	260	183
CH-CBS315	1048	580	589	350	172	146	905	630	405	805	665	285	210
CH-CBS355	1184	675	615	375	184	164	1025	703	450	1025	729	310	245
CH-CBS400	1278	720	723	4330	220	190	1093	813	528	1093	833	358	270
CH-CBS450	1337	840	836	473	237	212	1173	883	563	1173	920	393	315
CH-CBS500	1538	995	903	518	274	233	1340	979	623	1340	1016	433	295
CH-CBS560	1605	1030	1000	572	293	250	1390	1081	683	1390	1117	477	380
CH-CBS630	1724	1080	1120	650	317	290	1465	1230	780	1465	1270	540	450
CH-CBS710	1865	1210	1245	725	342	330	1565	1378	870	1565	1420	600	470
CH-CBS800	2015	1260	1370	795	377	375	1675	1540	970	1675	1575	660	470
CH-CBS900	2160	1550	1555	915	400	400	1790	1740	1100	1790	1765	755	485
CH-CBS1000	2359	1745	1700	1000	464	469	1915	1922	1210	1915	1969	825	570
CH-CBS1120	2775	1810	1918	1130	502	525	2288	2150	1350	2500	2205	930	630
CH-CBS1250	2988	1910	2100	1240	525	588	2430	2390	1500	2430	2438	1020	630
CH-CBS1400	3430	2240	2350	1390	583	659	2800	2678	1680	1800	2734	1150	

PRODUCT SIZE ▶ BELTLESS



Unit: mm

Item	Inlet Size			Outlet Size						Installation Dimensions						
	ΦD1	ΦD2	n-Φd1	A	A1=a1xn1	A2	B	B1=b1xn2	B2	F	G	O	P	I	N	n-Φd2
CH-CBS280	280	310	6-Φ10	355	381=3x127	405	196	222=2x111	246	230	260		30	160	220	4-Φ12
CH-CBS315	315	350	6-Φ10	400	432=3x144	460	280	250=2x125	280	270	310		30	150	210	4-Φ12
CH-CBS355	355	396	8-Φ10	450	480=4x120	510	305	276=2x138	305	310	350		30	180	240	4-Φ12
CH-CBS400	400	440	8-Φ10	500	536=4x134	570	346	312=3x104	346	350	400		30	200	260	4-Φ15
CH-CBS450	450	500	8-Φ10	560	596=4x149	630	380	345=3x115	380	400	450		40	220	300	4-Φ15
CH-CBS500	500	540	8-Φ10	630	665=5x133	700	415	381=3x127	415	450	500		50	280	380	4-Φ15
CH-CBS560	560	610	8-Φ12	710	745=5x149	780	453	420=4x105	453	400	450	458	50	220	320	6-Φ15
CH-CBS630	630	680	12-Φ12	800	840=6x140	880	513	476=4x119	513	450	500	508	50	290	390	6-Φ15
CH-CBS710	710	760	16-Φ12	900	942=6x157	980	560	520=4x130	560	470	530	560	50	300	400	6-Φ15
CH-CBS800	800	860	16-Φ12	1000	1043=7x149	1080	630	592=4x148	630	500	560	630	50	250	350	6-Φ15

Item	Dimensions (180°)						Dimensions (90°)			Dimensions(0°)	
	L	E	W	H	K	M	S	L1	H1	L2	H2
CH-CBS280	535	490	545	280	127	210	465	565	230	550	350
CH-CBS315	601	556	550	320	146	236	516	636	260	625	400
CH-CBS355	672	610	630	350	164	260	575	709	290	703	450
CH-CBS400	760	690	676	400	190	290	646	805	330	785	500
CH-CBS450	847	772	765	450	212	322	721	877	350	880	560
CH-CBS500	934	852	910	500	233	352	796	978	400	966	610
CH-CBS560	1044	950	808	560	256	390	885	1096	450	950	560
CH-CBS630	1180	1034	928	600	290	434	994	1230	500	1200	750
CH-CBS710	1328	1150	1085	660	330	490	1122	1360	540	1343	835
CH-CBS800	1485	1290	1105	750	375	540	1249	1525	610	1500	930



CHOSEN VENT TECH LTD.

Address: No.201-1 of 22, International Woodworking Machinery Area, Licun Lunjiao, Shunde District, Foshan City, Guangdong, China

Production Base: 102 No.5 west of Xianchongzhongxin Road, Qiaonan Street, Panyu District, Guangzhou, China

Tel: +86-757-27888568

Fax: +86-757-27888568

E-mail: info@ch-ventilation.com

Website: www.ch-ventilation.com